

WM Full IP65 BOX PC Core i5 GEN7

Full IP65 Fanless Embedded System

Features

- Intel® Core™ i5-7200U up to 3.1GHz
- Intel® SoC Chipset
- FULL IP 65 System
- Incl. 8GB RAM and 128GB M.2 SSD MLC
- Fanless system
- Dimension: 260.4 x 168 x 50 mm

System

CPU	Intel® Core i5-7200U Kaby Lake
System Chipset	Intel® SoC
Graphic Engine	Intel® HD Graphics 620
RAM	1x 8 GB DDR4-2133 SO-DIMM (Max 16 GB)
Storage Device	1 x 128 GB M.2 B Key SATA III SSD

Connectors

COM	1 x RS-232 (M12 Connector) (Optional: 2x RS-232)
USB	2 x USB 2.0 (front), 1 x USB 2.0 TypeA (back)
LAN	2 x Gigabit Ethernet (M12 Connector)
Audio	1 x Line-in / Line-out (Optional)
Video	1x VGA
Expansion slots	1 x mini PCIe for SSD 1 x M.2 E Key for WLAN (Optional)
Antenna	Optional
GPIO	Optional

Mechanical

Power Input	Power Input 9~36V DC with Isolation
Dimensions	260.4 x 168 x 50 mm
Weight	3,2 kg

Environmental

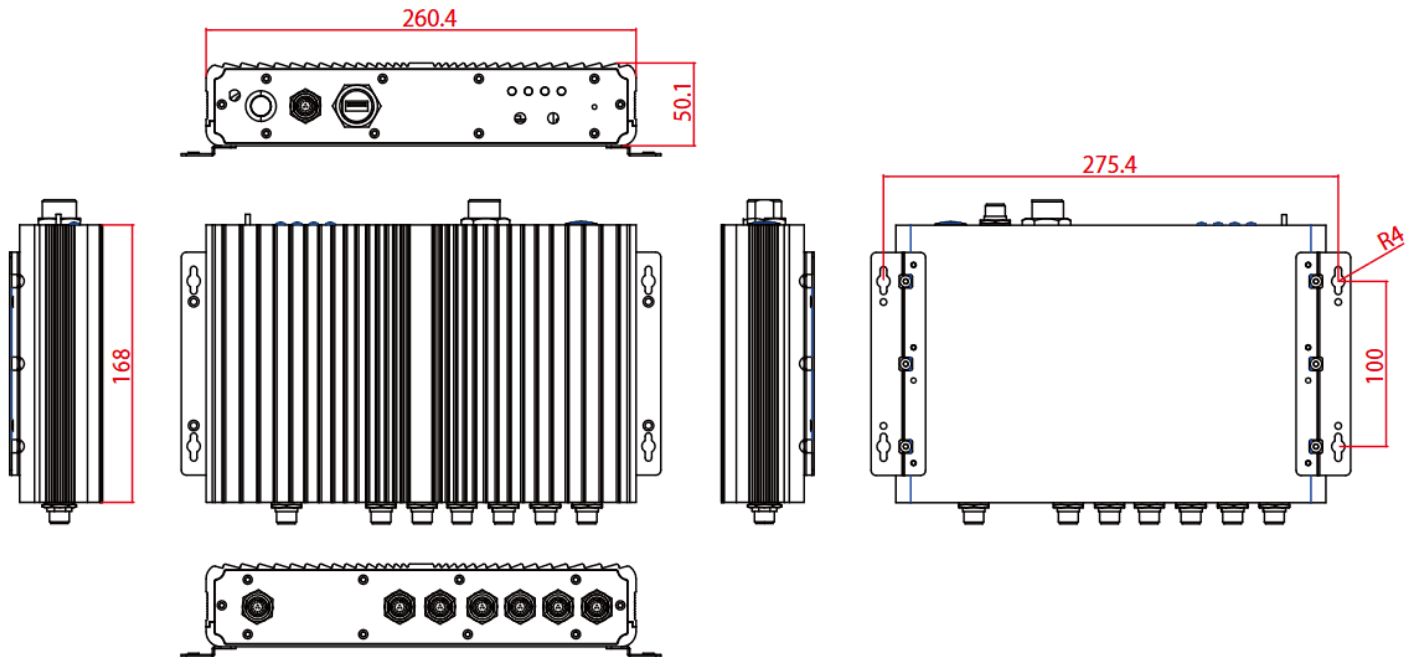
Operating Temperature	±0° ~ 50° C -20° ~ 60° C (Optional)
Humidity	5% ~ 95% non-condensing
IP-Protection	IP65
Certificate	CE, FCC

Front View

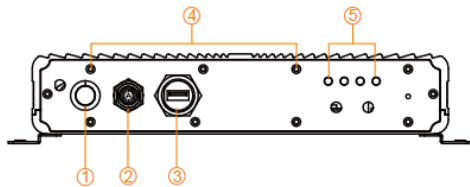


WM Full IP65 BOX PC Core i5 GEN7

Technical Layout

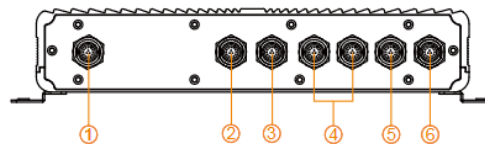


Front View



- 1. Power Button
- 2. GPIO (Optional)
- 3. USB 2.0 TypeA-Female
- 4. Antenna (Optional)
- 5. LED Indicators (Power/HDD/LAN)

Rear View



- 1. Power
- 2. USB
- 3. VGA
- 4. LAN x 2
- 5. COM
- 6. COM(Optional)