

WM OF Display Series

Open Frame Displays | Ø 5.7" - 42"

Industrial open frame touch display series with resistive touchscreen

Features

- 5.7" to 42" display sizes
- Resolution up to 1920 x 1080
- High-Brightness models available
- Resistive touchscreen (SAW optional)
- Best-suited for medical or multimedia applications in industrial facilities



Durable and flexible open frame touch displays

The WM Openframe are ready to use and robust industrial displays with a touch surface, that are insensitive to direct sunlight. Apart from being robust, the displays convince with reliability and adaptability to various customers' needs, due to their openframe design. These qualities make the displays particularly suited for applications in medical technology, digital signage as well as various multimedia scenarios.

Sunlight-readable high brightness displays

The WM Openframe displays are also available in a high brightness version with up to 1000 cd/m² thus offering high luminosity for advertisement boards for example. Different touchscreen variations such as projected capacitive, resistive or SAW Touch provide for a good usability. The screen size ranges from 5,7" to 42" with an aspect ratio of 16:10, 16:9 or 4:3 and a maximum resolution of 1920×1080 pixels.



WM OF Display Series

Open Frame Displays | Ø 5.7" - 42"

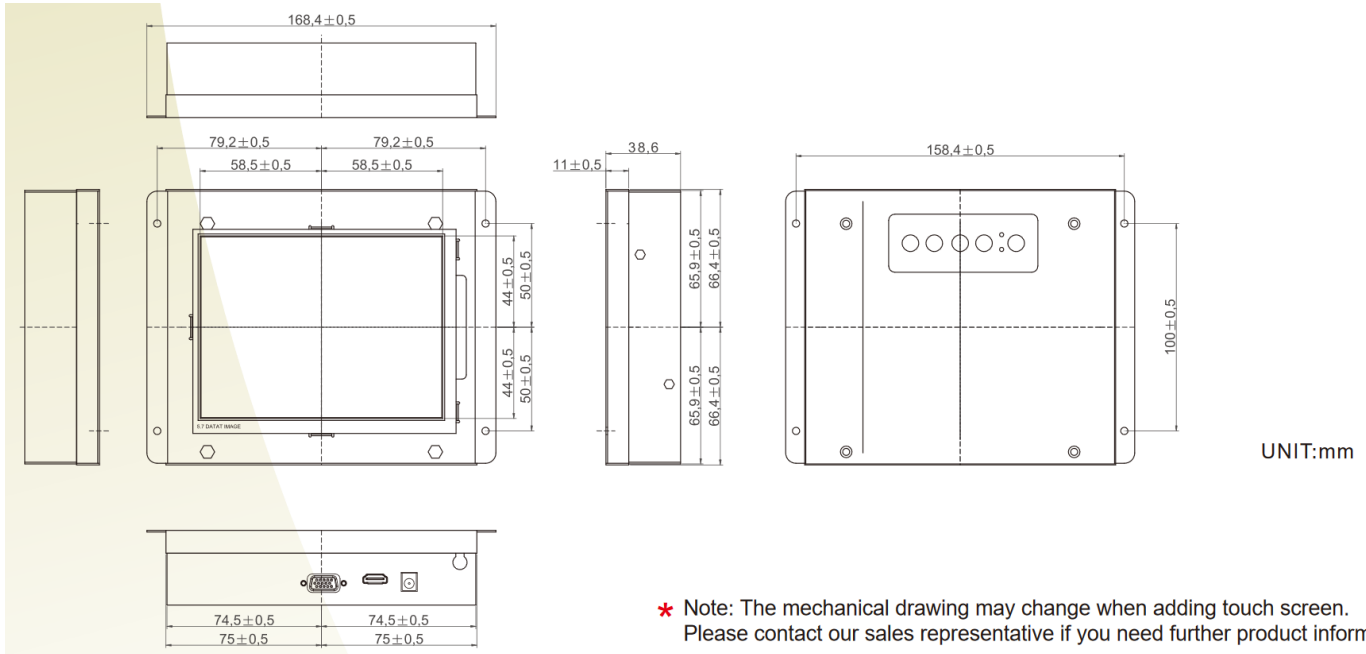
Display	5.7"	6.5"	10.4"	12.1"	15"	15.6"
Touchscreen	Resistive touch (optional)				Resistive PCAP multitouch SAW	Resistive
Resolution	640 x 480	640 x 480	1024 x 768	1280 x 800	1024 x 768	1366 x 768
Brightness	400 bis max. 900cd/m ²	700cd/m ²	350cd/m ²	400cd/m ²	250cd/m ²	300cd/m ²
Contrast	300:1	600:1	1.200:1	1.000:1	700:1	500:1
Color Depth	262.144 (6-bits/color)		16.2M (6-bit+FRC)	262K / 16.2M	16.2M	16.7M
Active Display (mm)	115.2 x 86.4	132.48 x 99.36	210.40 x 157.80	261.12 x 163.20	304.10 x 228.10	344.23 x 193.54
Viewing Angle	-70~70 (H)/-40~60(V)	-80~80 (H)/-70~70(V)	-88~88 (H)/-88~88(V)	-88~88 (H)/-88~88(V)	-80~80(H)/-70~70(V)	-85~85 (H)/-80~80(V)
Interface						
Video	1x VGA (D-Sub 15-pin) + 1x HDMI (type A)					
Audio	1x Audio-In (optional) + 2x speakers					
Mechanical						
Power Input	12V DC-in, with external AC/DC adapter (100~240V)					
Power Consumption	15W	15W	15W	20W	15W	25W
Dimensions	168.4 x 132.8 x 36mm	249 x 142.8 x 37.1mm	260 x 215 x 38mm	280 x 206 x 35mm	357.6 x 292 x 47.8mm	366.3 x 248 x 40mm
Environmental						
Operating Temperature	±0° ~ 50° C					
Storage Temperature	-10° ~ 60° C					

Display	17"	19"	21.5"	22"	32"	42"
Touchscreen	Resistive PCAP multitouch SAW		Resistive	Resistive SAW	SAW	
Resolution	1280 x 1024	1280 x 1024	1920 x 1080	1680 x 1050	1920 x 1080	1920 x 1080
Brightness	350cd/m ²	250cd/m ²	250 bis zu 1000cd/m ²	250 bis zu 1000cd/m ²	350cd/m ²	500cd/m ²
Contrast	1.000:1	1.000:1	1.000:1	1.000:1	3.000:1	4.000:1
Color Depth	16.7M					
Active Display (mm)	337.92 x 270.34	376.32 x 301.06	476.64 x 268.11	473.76 x 296.10	698.40 x 392.85	930.24 x 523.26
Viewing Angle	-85~85 (H)/-80~80(V)	-85~85 (H)/-80~80(V)	-85~85 (H)/-80~80(V)	-85~85 (H)/-80~80(V)	-89~89(H)/-89~89(V)	-89~89(H)/-89~89(V)
Interface						
Video	1x VGA (D-Sub 15-pin) + 1x HDMI (type A)					
Audio	1x Audio-In (optional) + 2x speakers					
Mechanical						
Power Input	12V DC-in, with external AC/DC adapter (100~240V)				24V DC-in, with external AC/DC adapter (100~240V)	
Power Consumption	27W	27W	40W	25W	75W	180W
Dimensions	410 x 330 x 58mm	445 x 355 x 56mm	504 x 318 x 60mm	514.2 x 341 x 56mm	800 x 479.4 x 68mm	1024.2 x 617.2 x 130mm
Environmental						
Operating Temperature	±0° ~ 50° C					
Storage Temperature	-10° ~ 60° C					

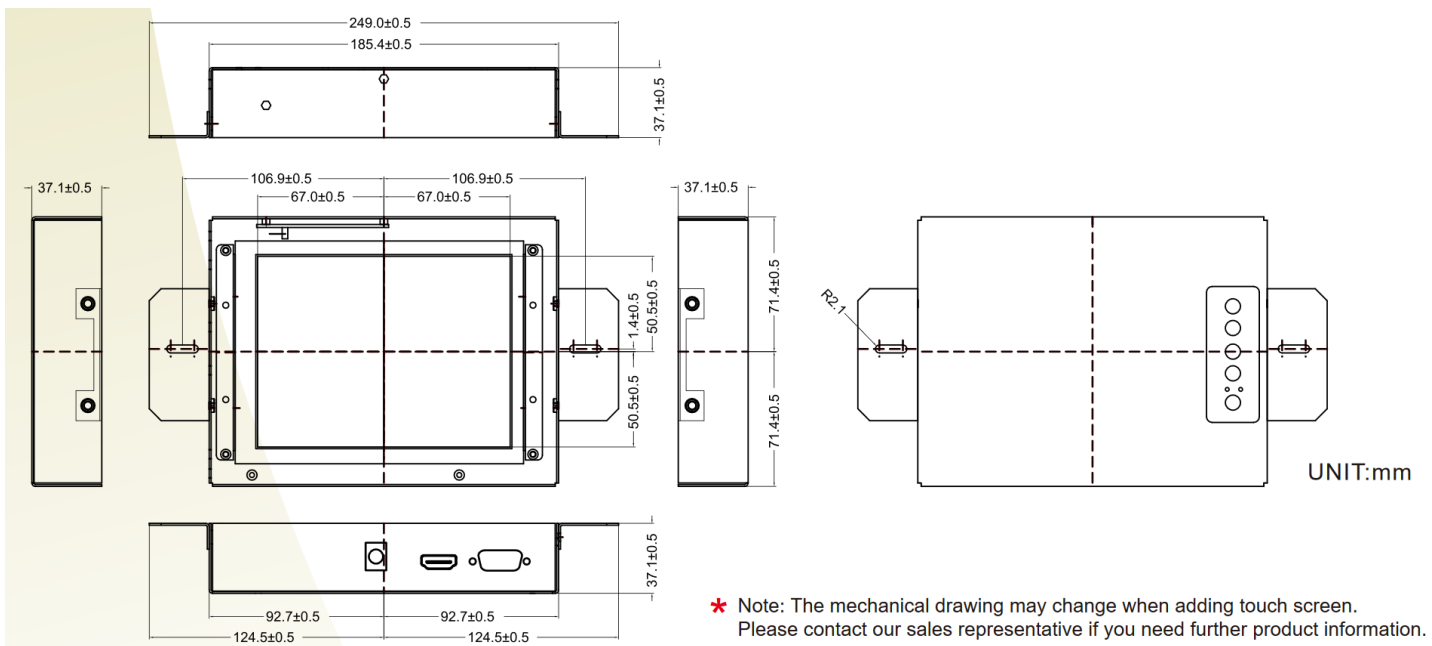
WM OF Display Series

Open Frame Displays | Ø 5.7" - 42"

5.7" | Mechanical drawing



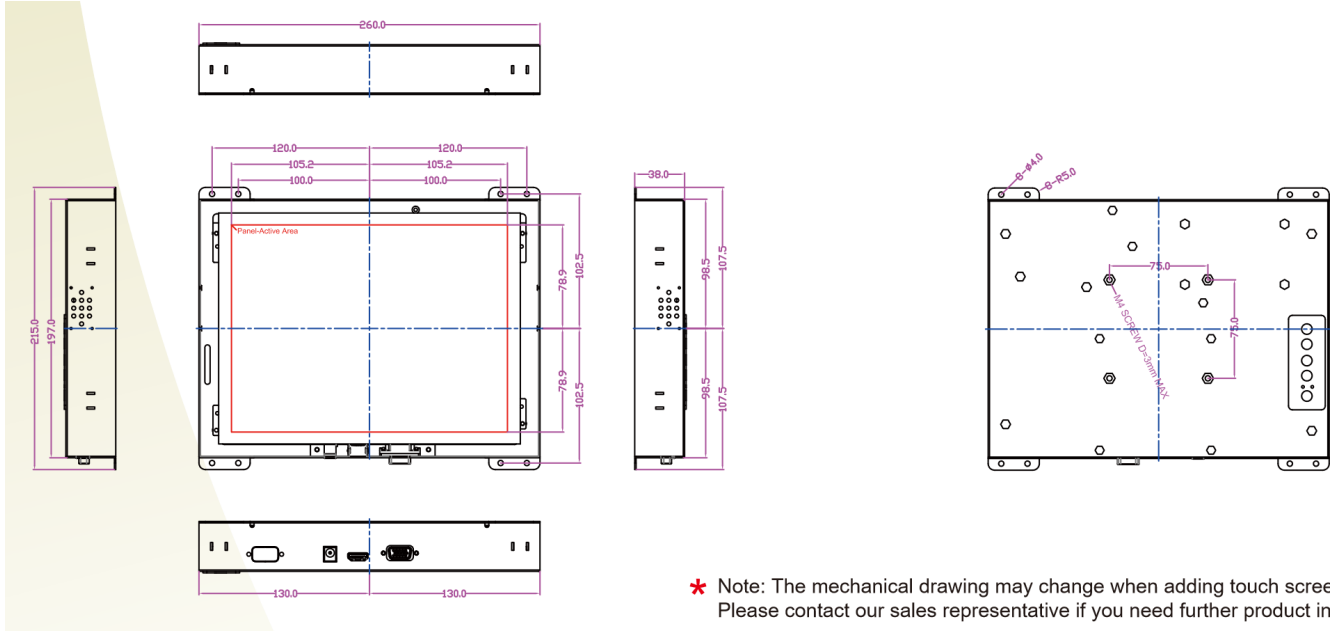
6.5" | Mechanical drawing



WM OF Display Series

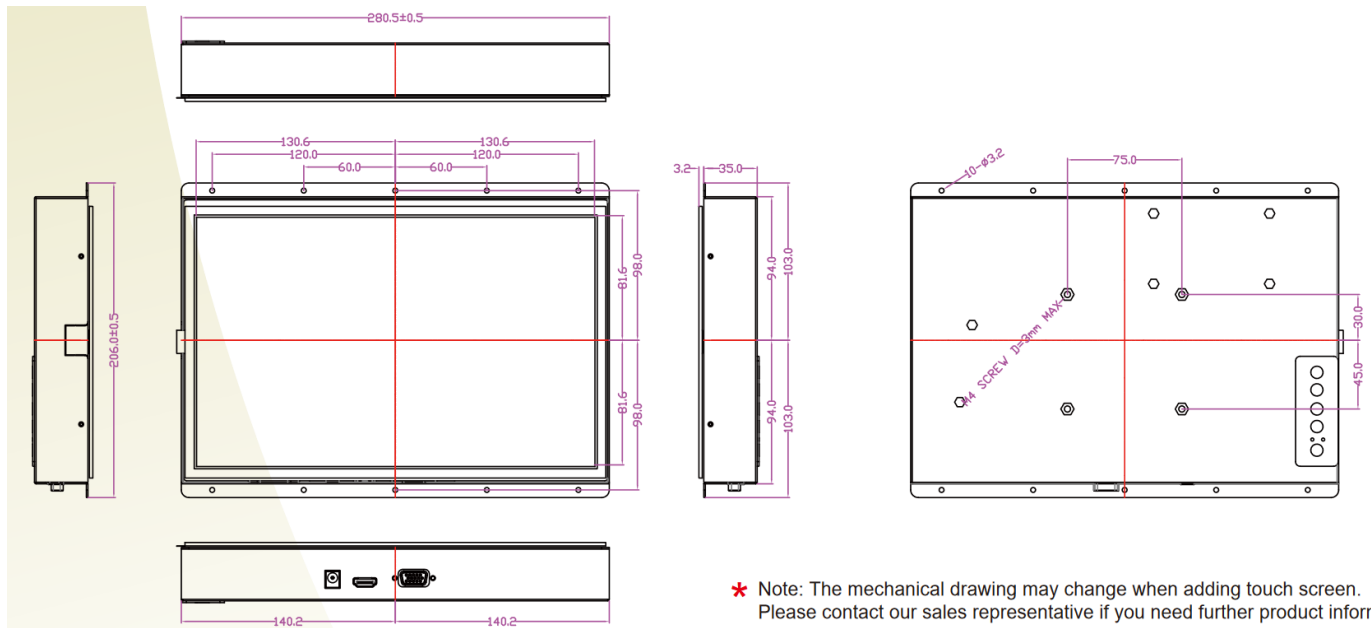
Open Frame Displays | Ø 5.7" - 42"

10.4" | Mechanical drawing



* Note: The mechanical drawing may change when adding touch screen. Please contact our sales representative if you need further product information.

12.1" | Mechanical drawing

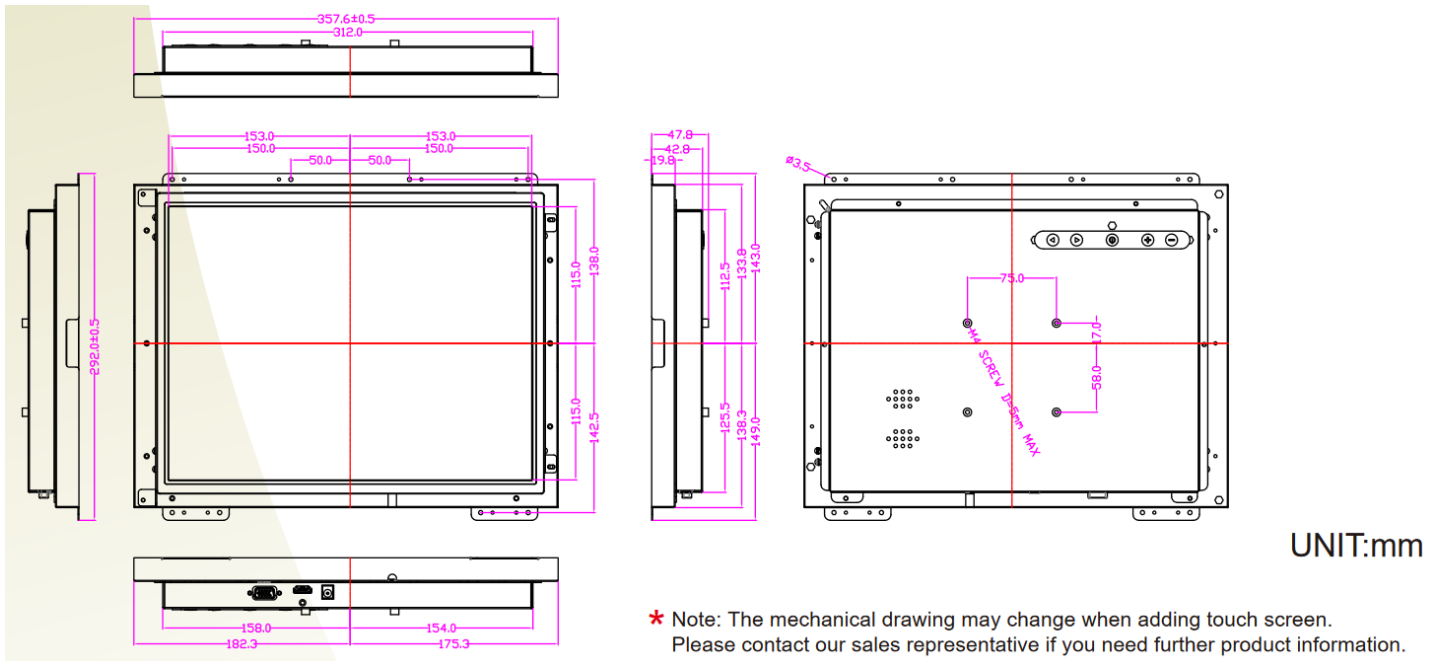


* Note: The mechanical drawing may change when adding touch screen. Please contact our sales representative if you need further product information.

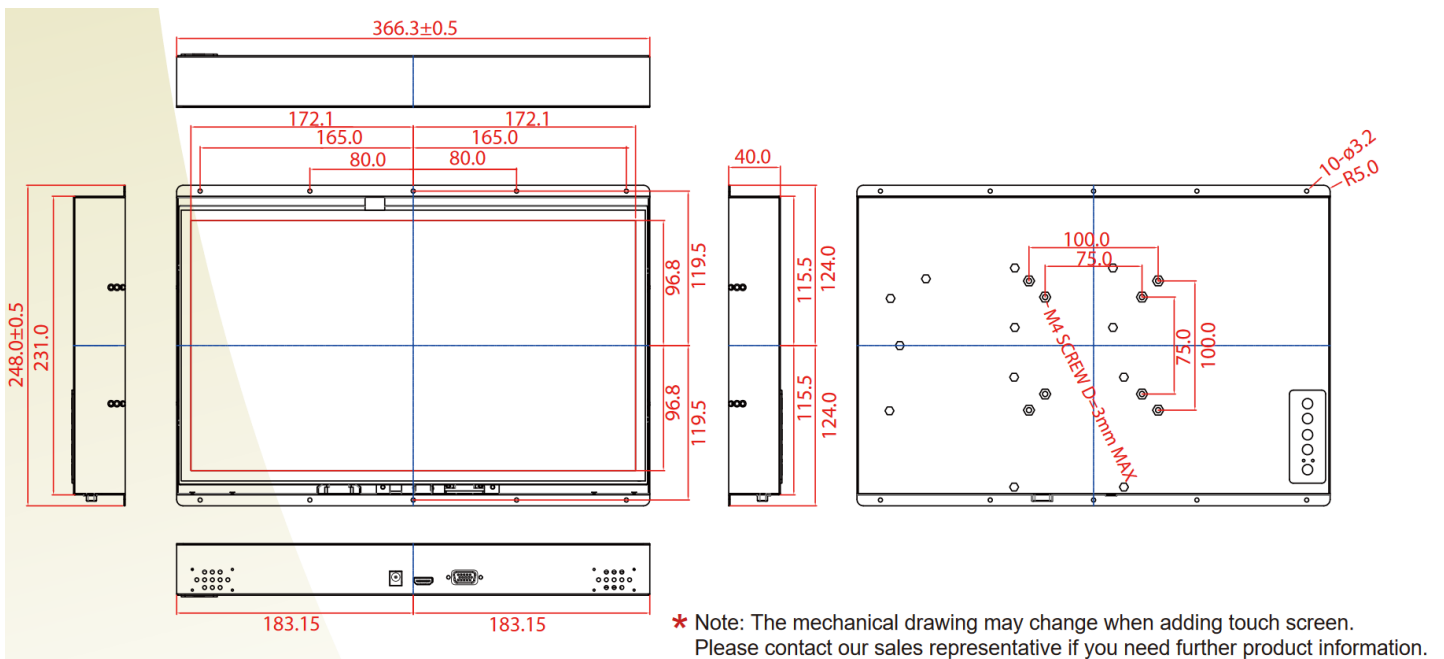
WM OF Display Series

Open Frame Displays | Ø 5.7" - 42"

15" | Mechanical drawing



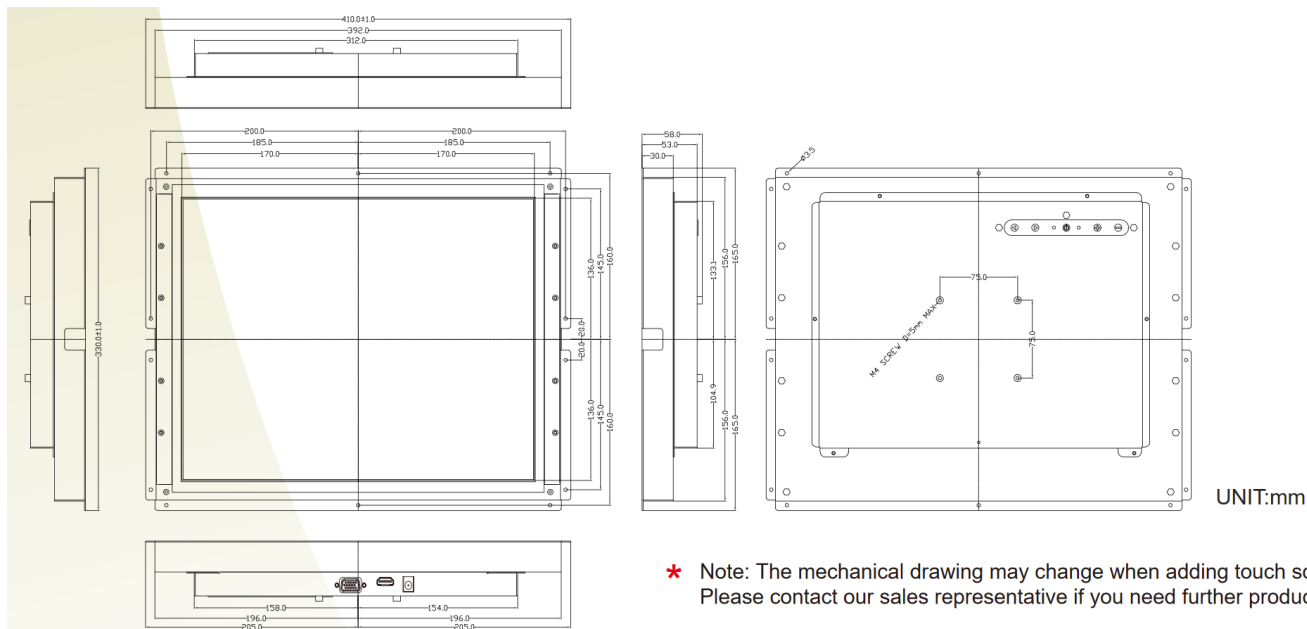
15.6" | Mechanical drawing



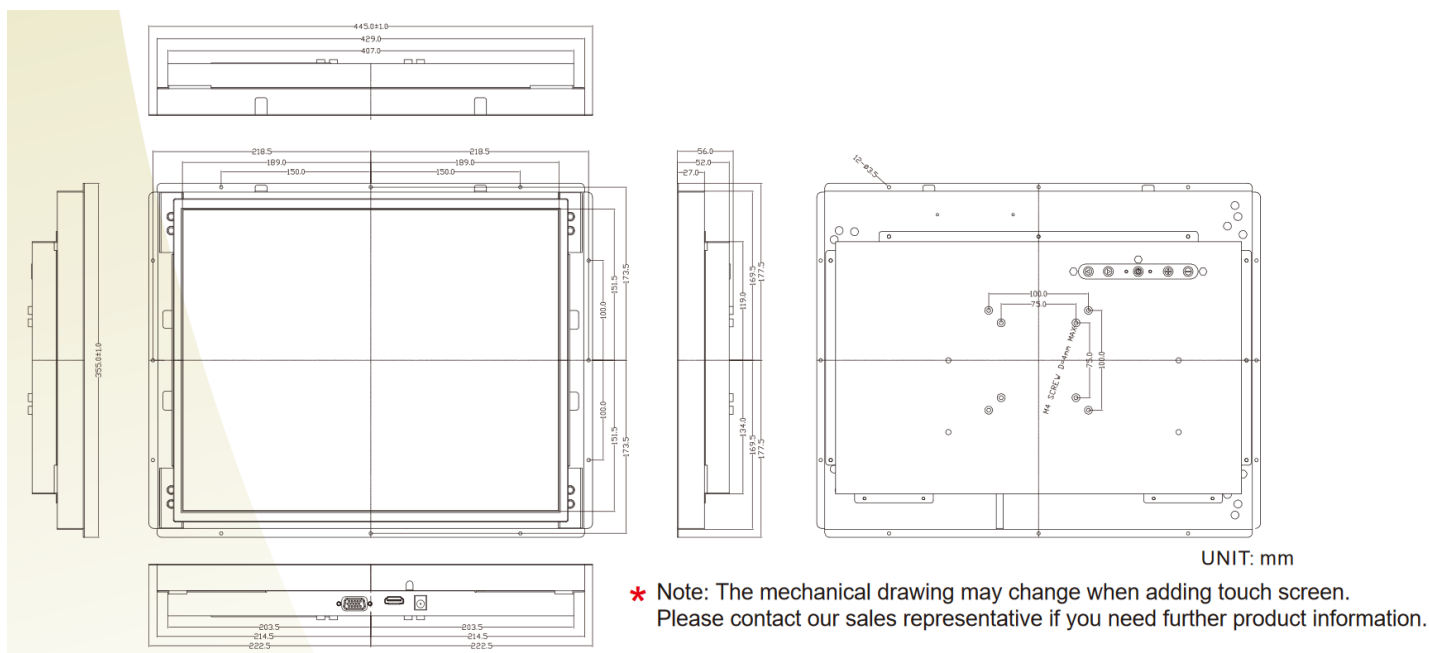
WM OF Display Series

Open Frame Displays | Ø 5.7" - 42"

17" | Mechanical drawing



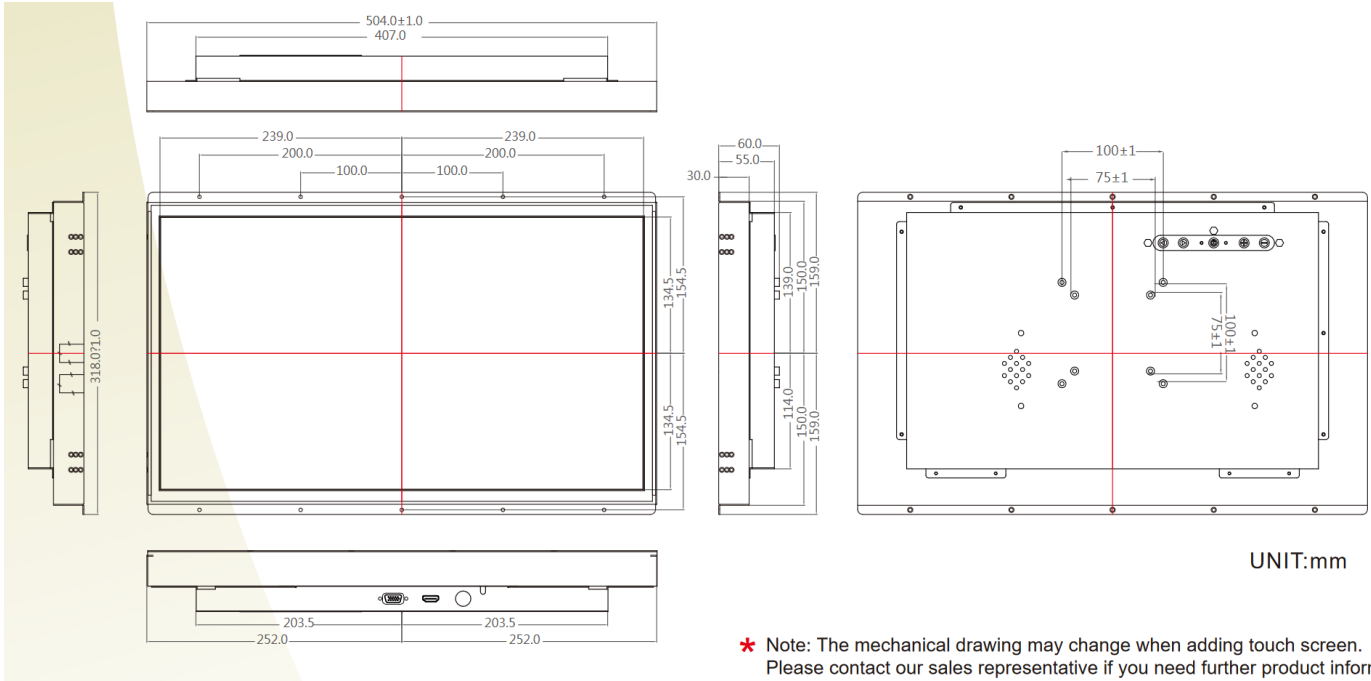
19" | Mechanical drawing



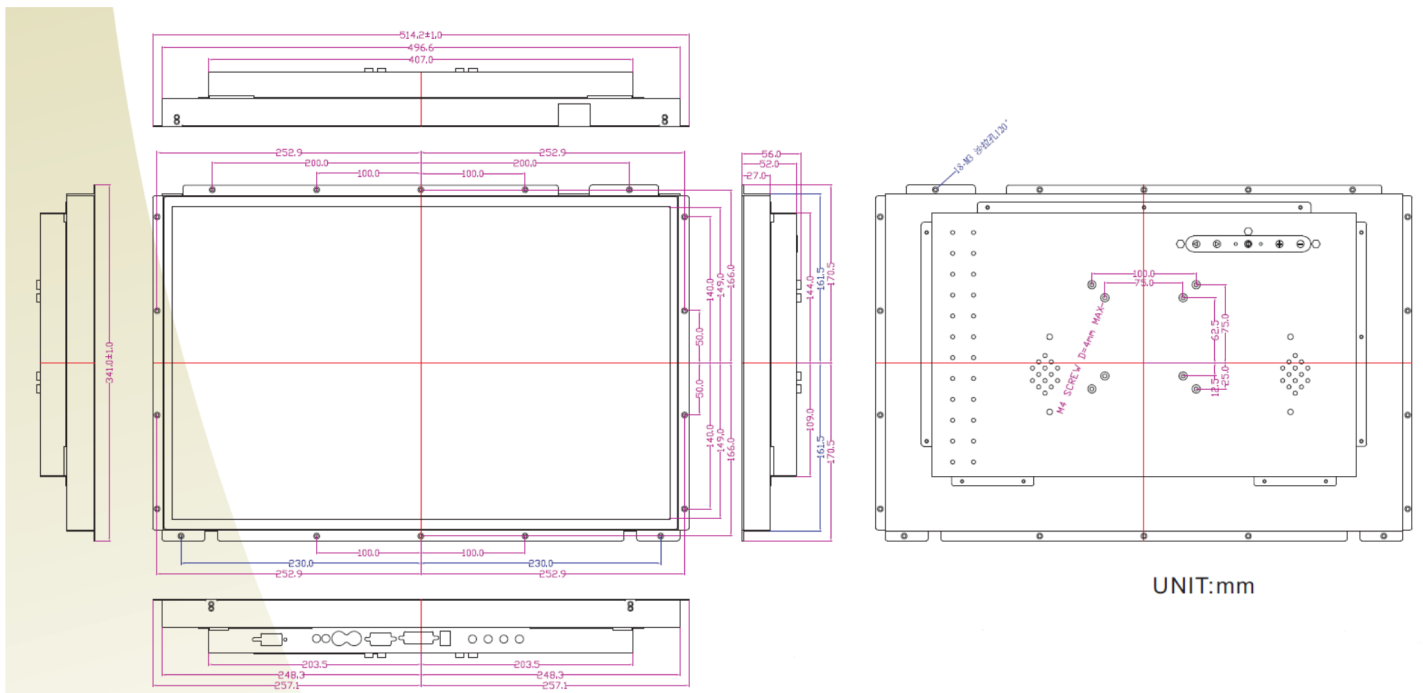
WM OF Display Series

Open Frame Displays | Ø 5.7" - 42"

21.5" | Mechanical drawing



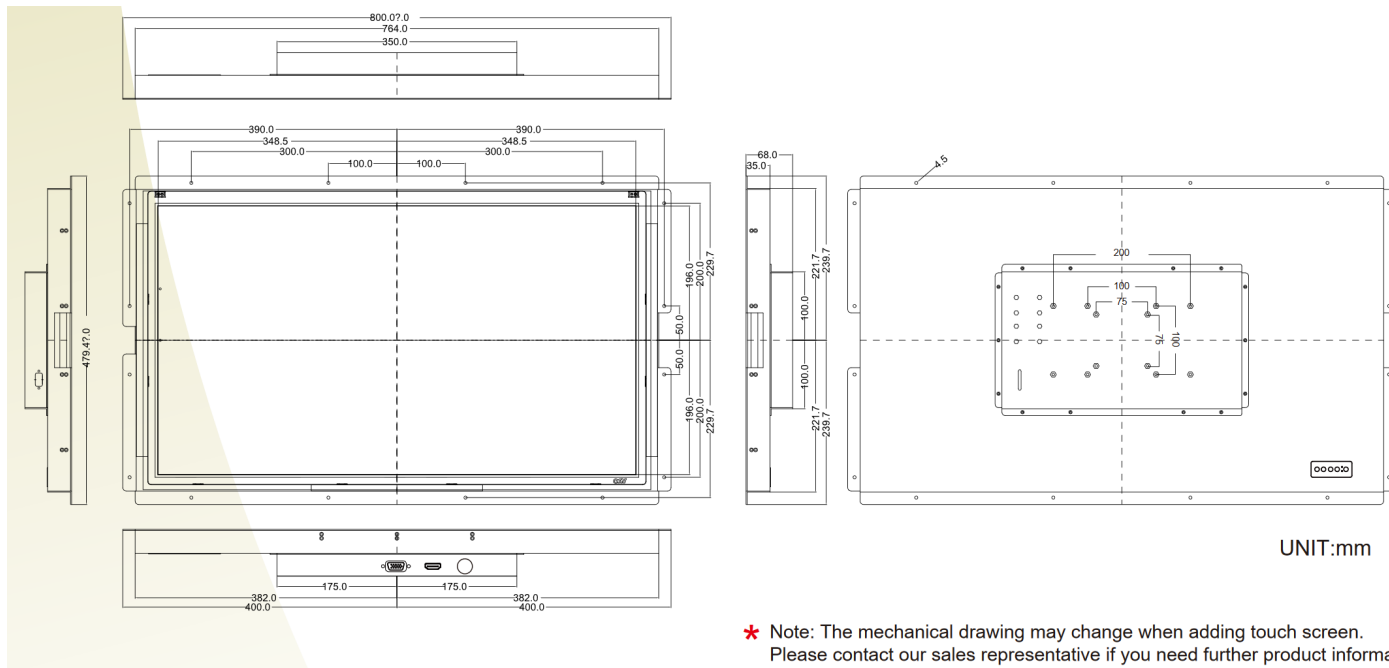
22" | Mechanical drawing



WM OF Display Series

Open Frame Displays | Ø 5.7" - 42"

32" | Mechanical drawing



UNIT:mm

42" | Mechanical drawing

