

# WM IP65 Front

Panelmount Touch Displays | Ø 10.4" - 19"

Industrial-grade IP65 front panel mount touch display series for flush mounting

## Features

- 10.4" ~ 19" display sizes
- Resolution up to 1280 x 1024
- Front IP65 protection
- Resistive touch (PCAP & SAW optional)
- Best-used for multimedia and industrial applications or for POS or kiosk systems



## Durable and flexible Panel Mount Touch Displays

The industrial WM IP65 front display series offers a wide range of functions and is also suitable for use in harsh environments. In addition to its robustness, it convinces through reliability and through its special installation form, which offers appropriate flexibility for different areas of application. Thus the touch displays fulfill their tasks long-lasting and reliable. These features make the devices especially interesting for digital signage, multimedia applications like POS or kiosk systems as well as for different areas of industrial automation.

## Excellent protection against splash water and dust

The WM IP65 front displays provide excellent protection against dirt, splash water and dust due to the front IP65 certification. Different touchscreen variations, such as PCAP, resistive or SAW touch, ensure good operability. The screen size for the panel mount displays ranges from 10.4 inches to 19 inches, with a maximum resolution of 1280×1024 pixels. In addition, a viewing angle of up to 178 degrees vertically and 178 degrees horizontally ensures good readability from various perspectives.

# WM IP65 Front

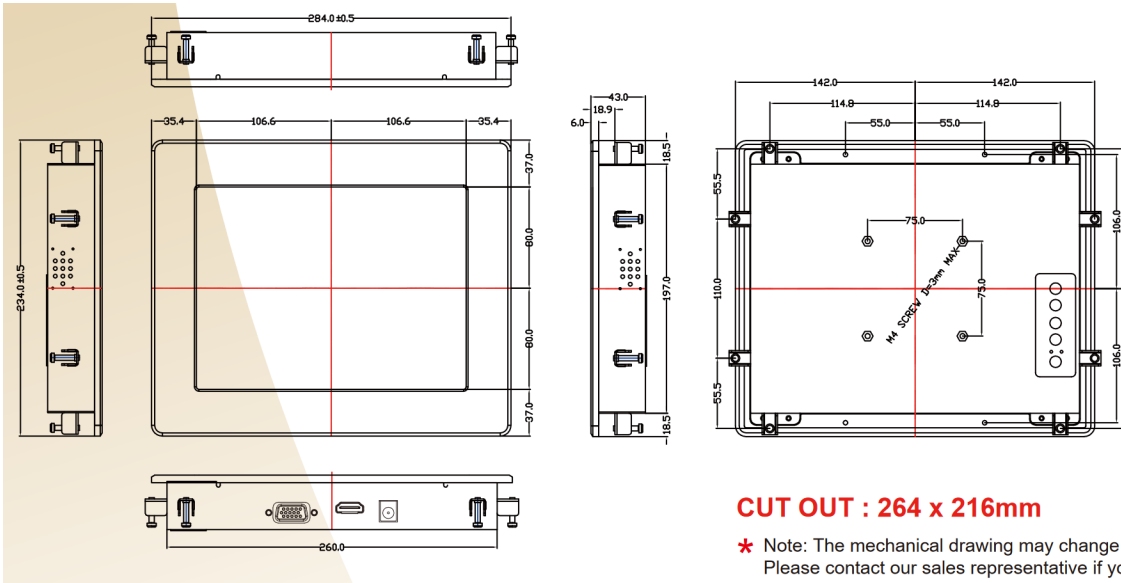
Panelmount Touch Displays | Ø 10.4" - 19"

Display	10.4"	12.1"	15"	17"	19"
<b>Touchscreen</b>	Resistive, SAW (IP54)	Resistive, PCAP multi touch, SAW (IP54)	Resistive, PCAP multi touch, SAW (IP54)	Resistive, PCAP multi touch	Resistive, PCAP multi touch
<b>Resolution</b>	800 x 600	1024 x 768	1024 x 768	1280 x 1024	1280 x 1024
<b>Brightness</b>	400cd/m <sup>2</sup>	500cd/m <sup>2</sup>	250cd/m <sup>2</sup>	350cd/m <sup>2</sup>	300cd/m <sup>2</sup>
<b>Contrast</b>	400:1	500:1	700:1	1.000:1	1.300:1
<b>Color Depth</b>	262.144 (6-bits/color)	16.2M	16.2M	16.7M (6-bit+FRC)	16.7M (8-bit/Color)
<b>Active Display Area (mm)</b>	211.2 x 158.4	245.76 x 184.32	304.10 x 228.10	337.92 x 270.34	376.32 x 301.06
<b>Betrachtungswinkel</b>	-70~70(H)/-70~60(V)	-80~80(H)/-70~70(V)	-80~80(H)/-70~70(V)	-85~85 (H)/-80~80(V)	-89~89(H)/-89~89(V)
<b>I/O</b>					
<b>Video</b>	1x VGA (D-sub 15-pin) + 1x HDMI (type A)				
<b>Audio</b>	1x Audio-in (optional) + 2x speakers				
<b>Mechanical</b>					
<b>Power Input</b>	12V DC-in, with external AC/DC power adapter (100~240V)				
<b>Power Consumption</b>	18W	15W	15W	36W	41W
<b>Dimensions</b>	280 x 230 x 42mm 263x207mm Cut out	324 x 274 x 45mm 303x252mm Cut out	400 x 320 x 56.8mm 360x280mm Cut out	440 x 360 x 65mm 412x332mm Cut out	474 x 384 x 60mm 446x356mm Cut out
<b>Mounting</b>	VESA 75mm	VESA 75mm	VESA 75mm	VESA 75mm	VESA 100/75mm
<b>Environmental</b>					
<b>Operating Temperature</b>	±0° ~ 50° C				
<b>Storage Temperature</b>	-10° ~ 60° C				
<b>IP Protection</b>	IP65 front				

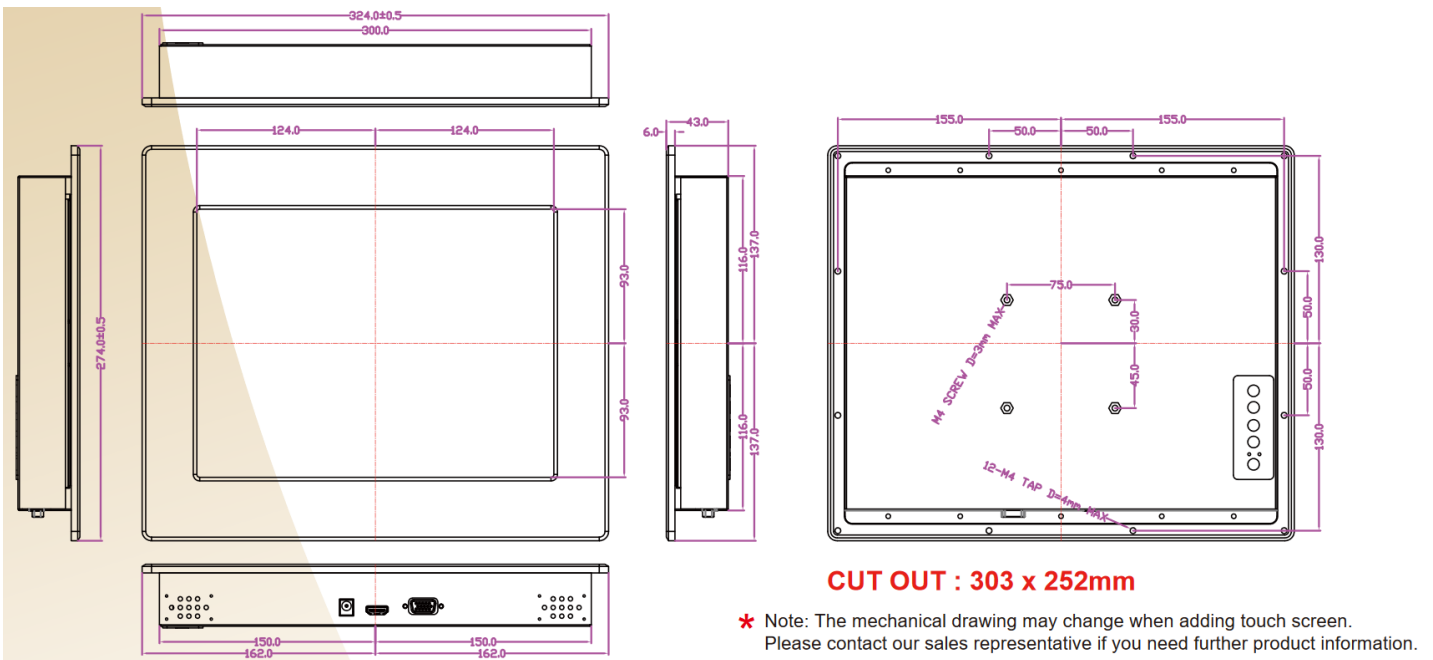
# WM IP65 Front

Panelmount Touch Displays | Ø 10.4" - 19"

## 10.4" | Technical drawing



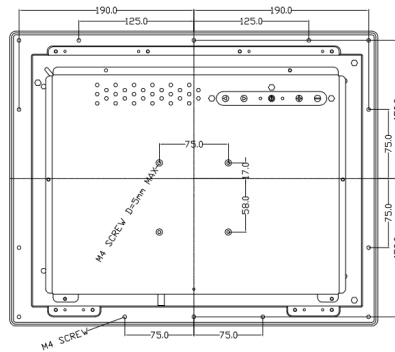
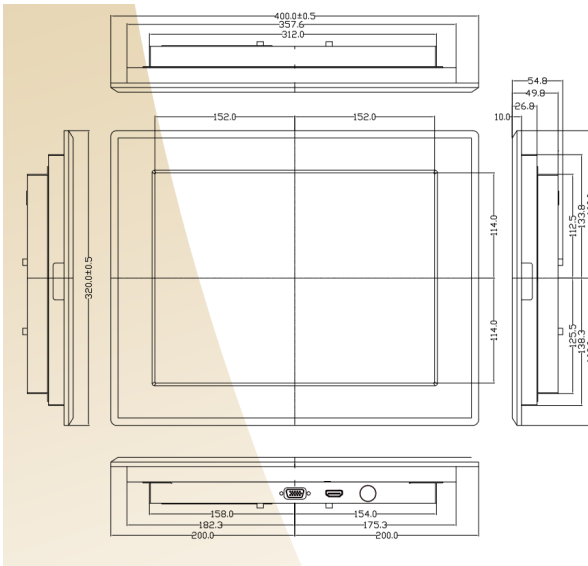
## 12.1" | Technical drawing



# WM IP65 Front

Panelmount Touch Displays | Ø 10.4" - 19"

## 15" | Technical drawing

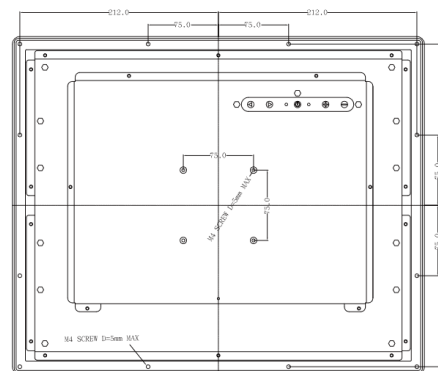
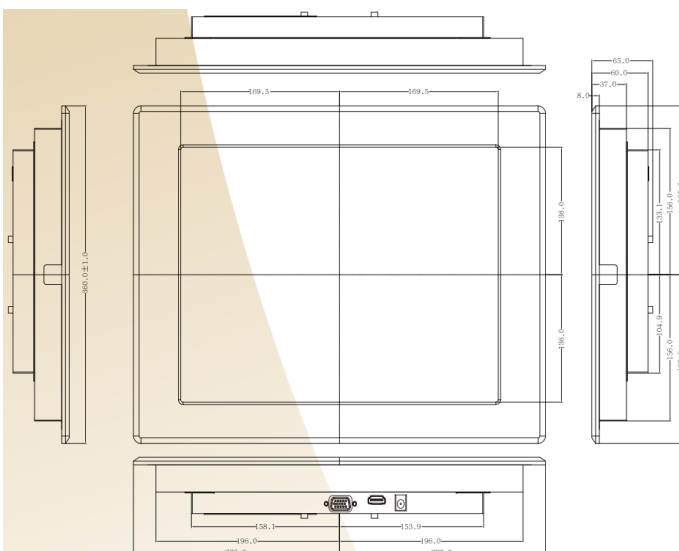


UNIT:mm

**CUT OUT : 360 x 280mm**

\* Note: The mechanical drawing may change when adding touch screen. Please contact our sales representative if you need further product information.

## 17" | Technical drawing



UNIT:mm

**CUT OUT : 412 x 332mm**

\* Note: The mechanical drawing may change when adding touch screen. Please contact our sales representative if you need further product information.

# WM IP65 Front

Panelmount Touch Displays | Ø 10.4" - 19"

## 19" | Technical drawing

