

# WM TFT Full IP65

Chassis type touch displays | Ø 8.4" - 42"

Industrial touch displays with Full IP65 stainless steel housing

## Features

- 8.4" to 42" display sizes
- Resolution up to 1920 x 1080
- Full IP65 certified
- Stainless steel housing for food processing and chemistry industries
- Resistive or PCAP Touch (w/o touch as an option)



## Full IP65 certified touch displays mit stainless steel housing

The WM TFT Full IP65 display series' chassis is made from robust stainless steel for the use in corrosive prone and harsh environments. This makes the display particularly suited for applications in the food industry, chemical industry, medical technology or plant construction. With its excellent qualities, the display is equally suited for multimedia applications.

## Completely sealed (corrosion resistance)

The Full IP65 certification of the TFT display offers all-round protection against environmental influences such as dust, water and dirt. This protection also encompasses the cable connections for external devices. A resistive touchscreen provides for a good usability, and is available for screen sizes up to 21,5". The available screen sizes range from 8,4" to 42" that offer an aspect ratio of 16:9 or 4:3 with a resolution of 1920x1080 pixels. Additionally, a viewing angle of 170 degrees vertically and 160 degrees horizontally, offers good readability from all points of view.



# WM TFT Full IP65

Chassis type touch displays | Ø 8.4" - 42"

Display	8.4"	15"	17"	19"
Touchscreen	Resistive	Resistive or PCAP		
Resolution	800 x 600	1024 x 768	1280 x 1024	1280 x 1024
Brightness	450cd/m <sup>2</sup>	250cd/m <sup>2</sup>	350cd/m <sup>2</sup>	400cd/m <sup>2</sup>
Contrast	600:1	500:1	1.000:1	1.000:1
Color Depth	16.2M			16.7M
Active Display (mm)	170.4 x 127.8	304.13 x 228.10	337.92 x 270.34	376.32 x 301.06
Viewing Angle	-80~80 (H)/-60~80(V)	-80~80 (H)/-60~70(V)	-85~85(H)/-80~80(V)	-85~85(H)/-80~80(V)

Interface				
Video	1x VGA cable (10-pin IP65 connector)			
Strom	1x 3-pin power cable (IP65 connector)			
Other	1x Optional 12-pin RS-232 or USB cable (IP65 connector)			

Mechanical				
Power Input	12V DC-in, with external AC/DC adapter (100~240V)			
Power Consumption	25W typ. during normal operation	25W typ. during normal operation	25W typ. during normal operation	27W typ. during normal operation
Dimensions	250 x 200 x 50mm	378 x 301 x 64mm	416 x 350 x 61.3mm	460 x 385 x 63mm
Mounting	VESA 75mm	VESA 100mm		

Environmental				
IP Protection	Full IP65 stainless steel housing			

Display	21.5"	32"	42"
Touchscreen	Resistive	n.a.	
Resolution	1920 x 1080	1920 x 1080	1920 x 1080
Brightness	250cd/m <sup>2</sup>	350cd/m <sup>2</sup>	500cd/m <sup>2</sup>
Contrast	1.000:1	3.000:1	4.000:1
Color Depth	16.7M		
Active Display (mm)	476.64 x 268.11	698.40 x 392.85	930.24 x 523.26
Viewing Angle	-85~85(H)/-80~80(V)	-89~89(H)/-89~89(V)	-89~89(H)/-89~89(V)

Interface			
Video	1x VGA cable (12-pin IP65 connector)		
Strom	1x 3-pin power cable (IP65 connector)		
Other	1x Optional 10-Pin RS-232 or USB connector (IP65 connector)	n.v.	

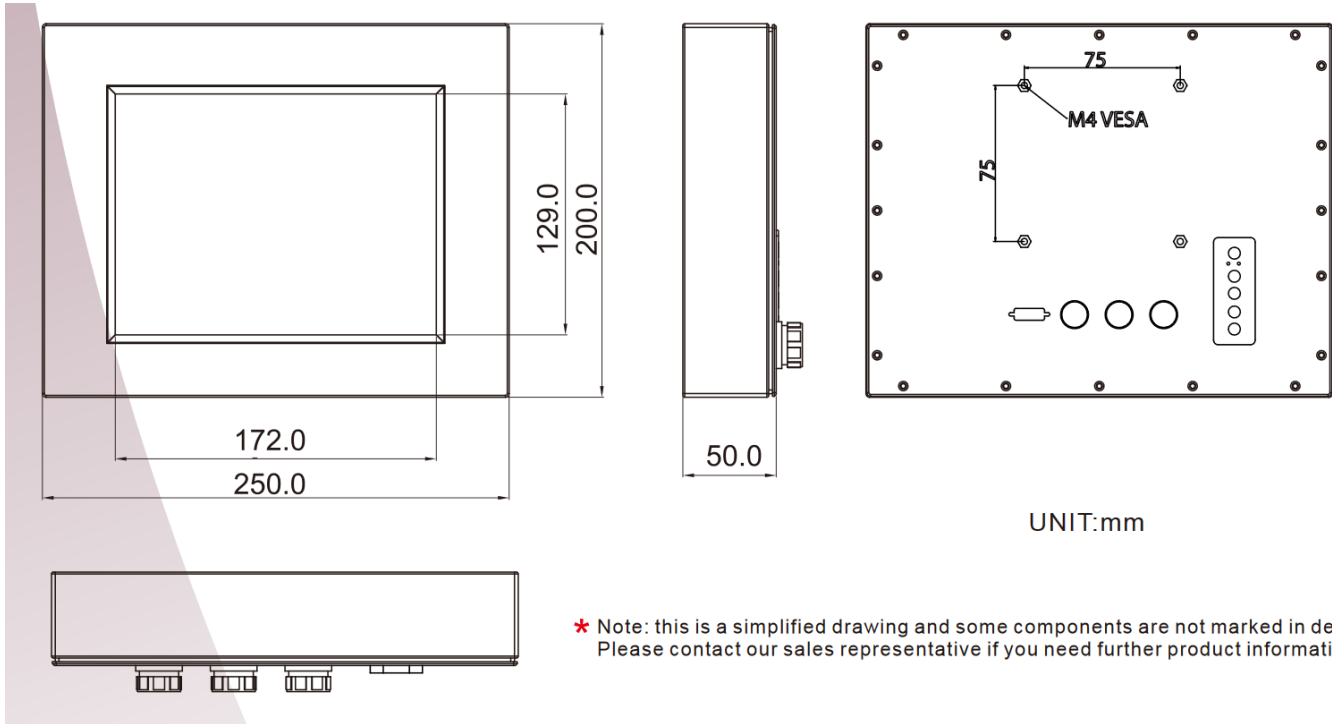
Mechanical			
Power Input	12V DC-in, with external AC/DC adapter (100~240V)	24V DC-in, with external AC/DC adapter (100~240V)	
Power Consumption	50W typ. during normal operation	48W typ. during normal operation	105W typ. during normal operation
Dimensions	550 x 340 x 58.6mm	785 x 475 x 77.4mm	1046 x 633 x 82.6mm
Mounting	VESA 200 x 100mm	VESA 400 x 200mm / 200 x 100mm	VESA 600 x 200mm / 200 x 200mm

Environmental			
IP Protection	Full IP65 stainless steel housing		

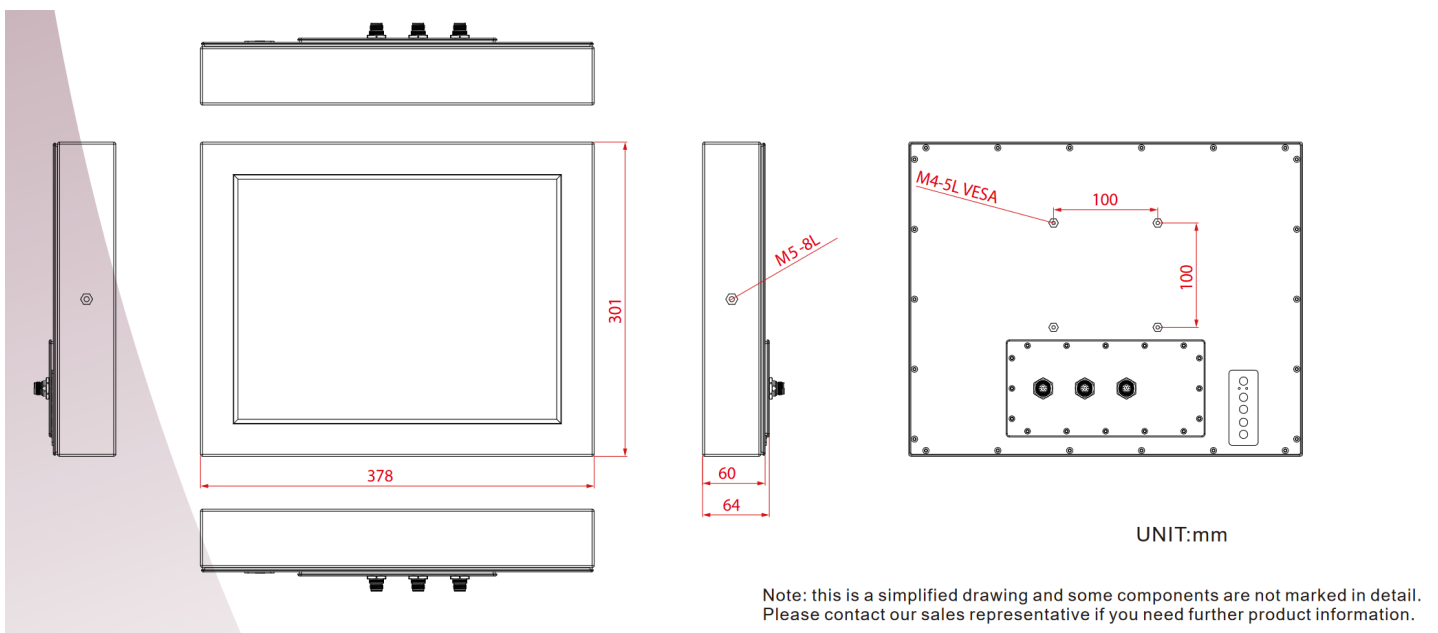
# WM TFT Full IP65

Chassis type touch displays | Ø 8.4" - 42"

## 8.4" | Mechanical drawing



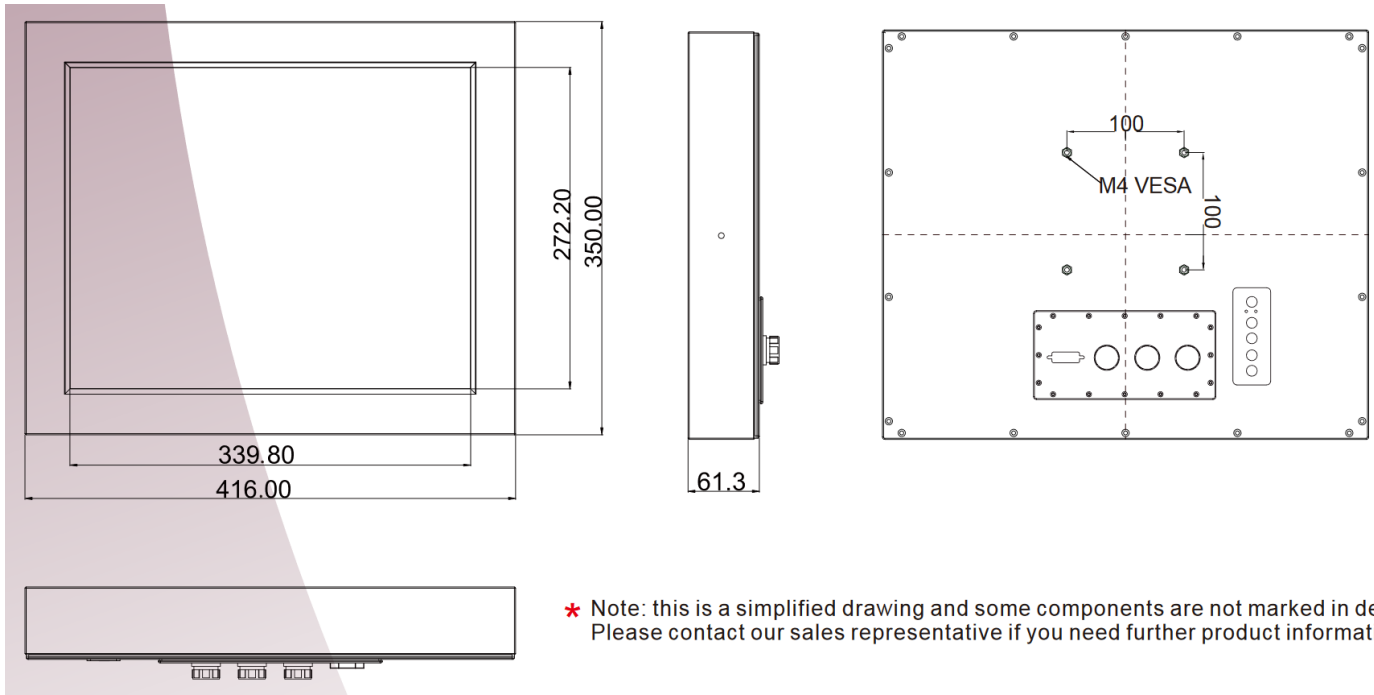
## 15" | Mechanical drawing



# WM TFT Full IP65

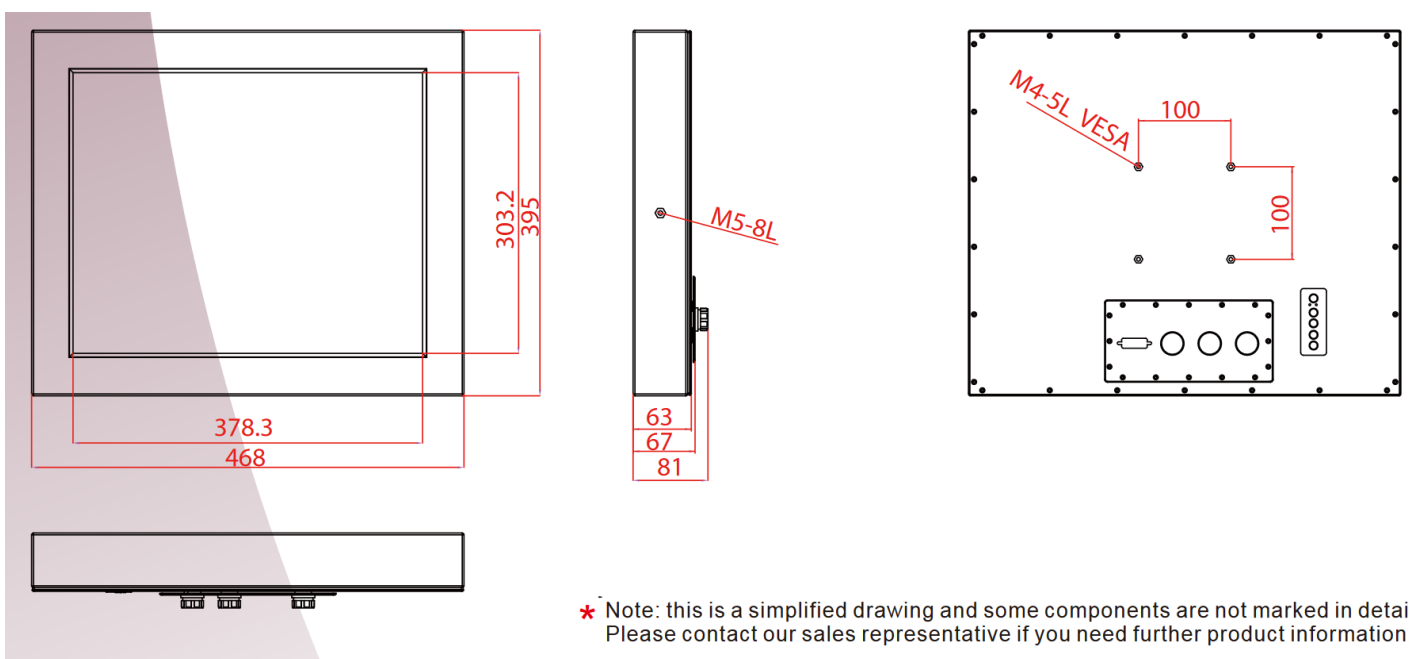
Chassis type touch displays | Ø 8.4" - 42"

## 17" | Mechanical drawing



\* Note: this is a simplified drawing and some components are not marked in detail. Please contact our sales representative if you need further product information.

## 19" | Mechanical drawing

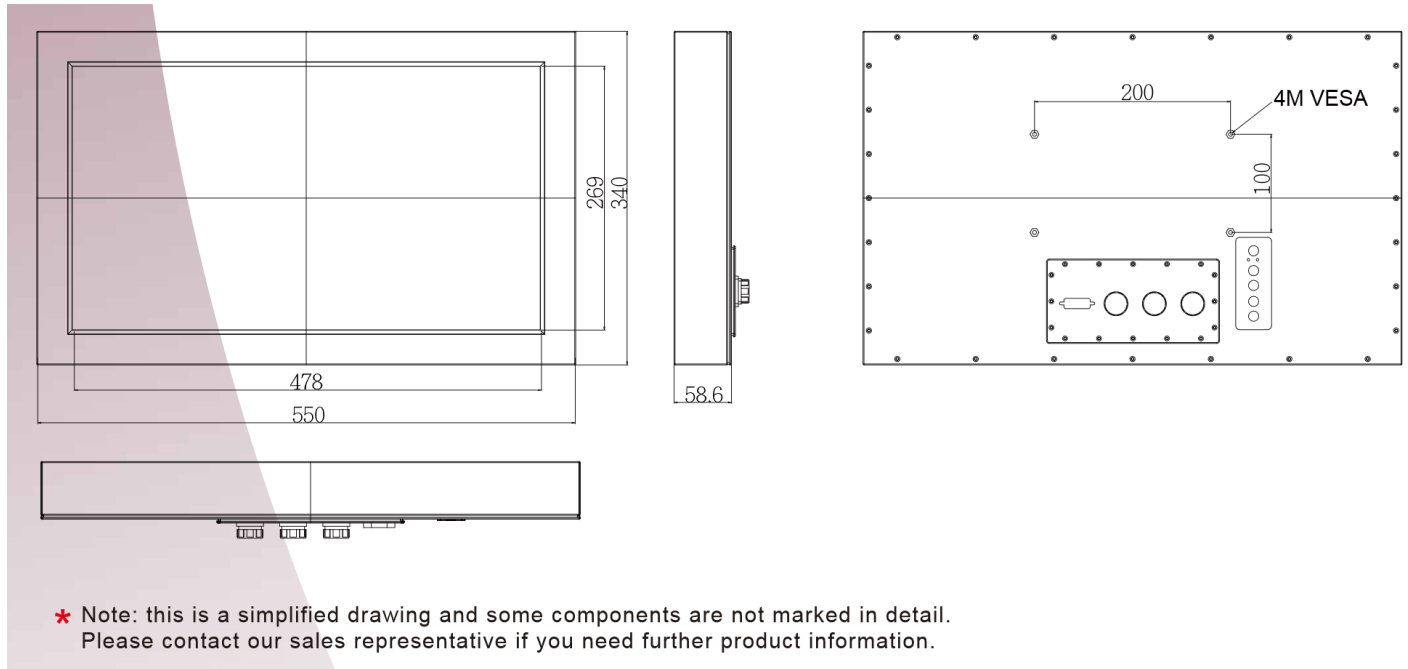


\* Note: this is a simplified drawing and some components are not marked in detail. Please contact our sales representative if you need further product information.

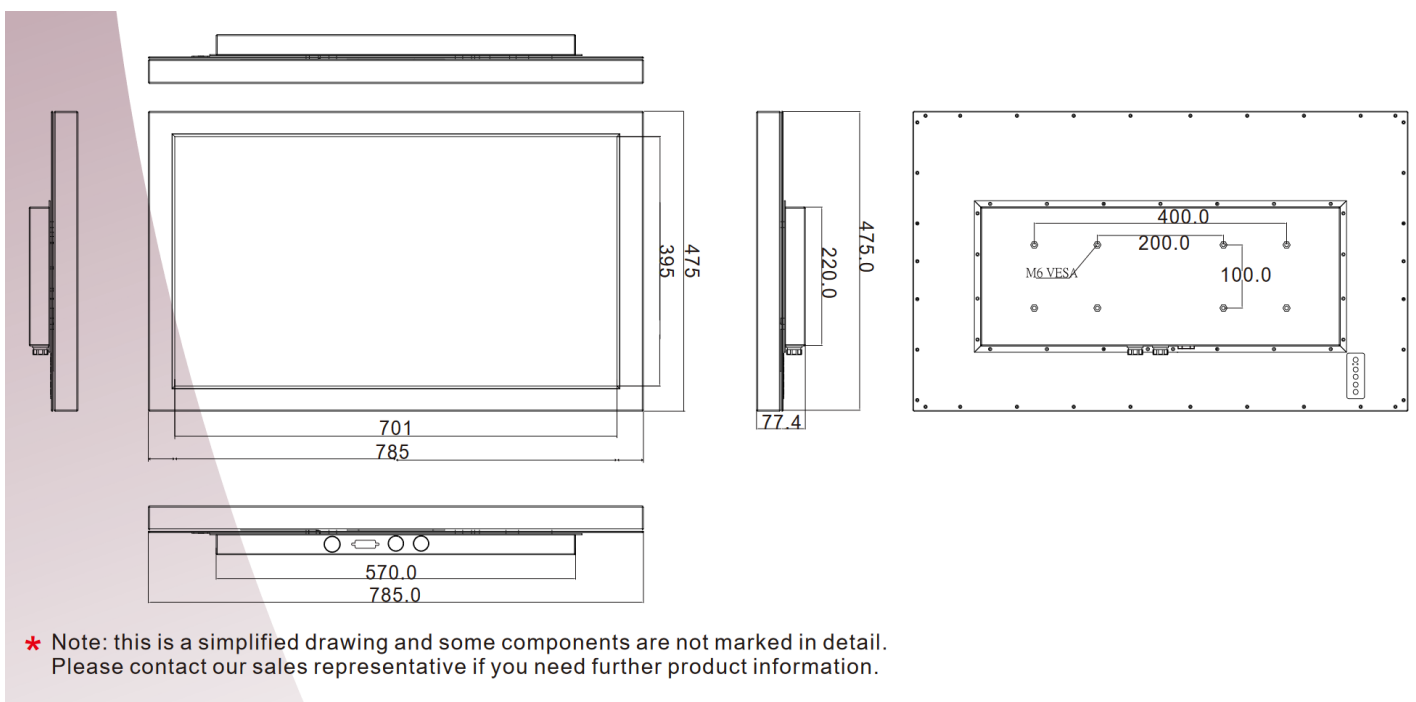
# WM TFT Full IP65

Chassis type touch displays | Ø 8.4" - 42"

## 21.5" | Mechanical drawing



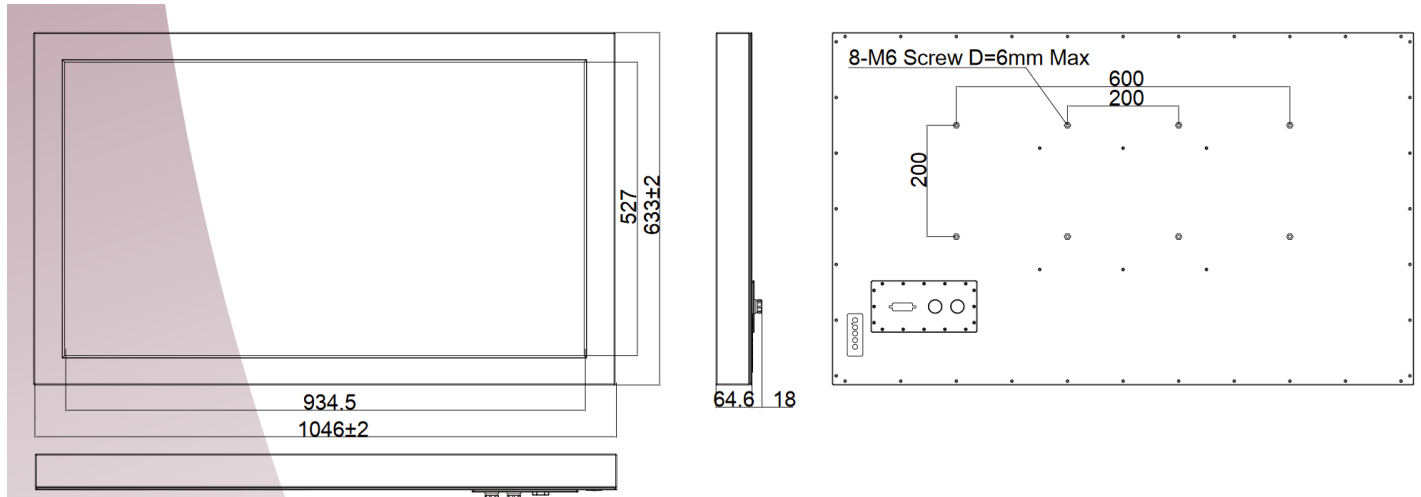
## 32" | Mechanical drawing



# WM TFT Full IP65

Chassis type touch displays | Ø 8.4" - 42"

## 42" | Mechanical drawing



\* Note: this is a simplified drawing and some components are not marked in detail. Please contact our sales representative if you need further product information.