

PUMA RCO-6122PE

Fanless embedded system with LGA 1151 for 8th / 9th Gen. Intel® processors

Features

- Intel® CFL-R S i7/i5/i3 CPUs
- Intel® UHD Graphics 610/630
- Breakthrough performance for high-res video playback, responsiveness, stronger security and reliability
- 2x PCIe x16 und 1x PCI Expansion

System

CPU	Support 8th/9th Gen Intel® CFL-R S Processor (LGA 1151) – Intel® Core™ i7-9700E, 8 Cores, 12MB cache, up to 4.4 GHz – Intel® Core™ i5-9500E, 6 Cores, 9MB Cache, up to 4.2 GHz – Intel® Core™ i3-9100E, 4 Core, 6MB Cache, 3.7 GHz – Intel® Core™ i7-9700TE, 8 Cores, 12MB cache, up to 3.8 GHz – Intel® Core™ i5-9500TE, 6 Cores, 9MB Cache, up to 3.6 GHz – Intel® Core™ i3-9100TE, 4 Core, 6MB Cache, 3.2 GHz – Intel® Core™ i7-8700T, 6 Cores, 12MB cache, up to 4.0 GHz – Intel® Core™ i5-8500T, 6 Cores, 9MB Cache, up to 3.5 GHz – Intel® Core™ i3-8100T, 4 Cores, 6MB Cache, 3.1 GHz – Intel® Pentium® G5400T, 2 Cores, 4MB Cache, up to 3.1 GHz
Chipset	Intel® Q370 Express chipset
Graphics	Intel® HD Graphics 610/630
Memory	2x 260-Pin DDR4 2400/2666 MHz SODIMM up to 64GB
Storage Devices	2x internal 2.5" SATA HDD drive bays 2x removable 2.5" SATA HDD drive bays Supports RAID 0, 1, 5, 10 1x mSATA (shared by Mini PCIe) 2x SIM slots (external/internal)
LAN Chipset	GbE1: Intel I219LM (Support Wake-on-LAN and PXE) GbE2: Intel I210-AT (Support Wake-on-LAN and PXE) GbE3-GbE6: Intel I350-AM4 (Optional) 10 GbE1~GbE2: Intel X710-AT2 (Optional)
Operating Systems	Windows® 10, Linux Kernel 5.X
Watchdog	Software programmable, 1 ~ 255 sec. system reset
Expansion Slots	2x Full-Size Mini PCIe (shared with 2x mSATA) 1x PCI, 1x PCIe x16

Interface

USB	4x USB 3.2 Gen 2 (10 Gbps), 5x USB 3.2 Gen 1 (5 Gbps), 2x USB 2.0
Ethernet	2x RJ-45 for Gigabit Ethernet
Serial Ports	4x RS-232/422/485 2x RS-232/422/485 (internal)
Video	2x DisplayPorts, 1x DVI-I
Audio	1x Audio Mic-in, 1x Speaker-out
Other	5x WiFi antenna holes, 1x Power Switch, 1x AT/ATX Switch, 1x Remote Power On/Off, 1x PC/Car Mode Switch

Mechanical

Power Input	9 ~ 48VDC, 3-pin terminal block
Mounting	Wallmount
Dimensions	W x D x H: 240 x 261 x 127.3mm
Power Adapter	Optional AC/DC 24V/9.2A, 220W ; AC/DC 24V/5A, 120W
Weight	tbw

Environmental

Operating temp.	-25°C to 70°C (35W CPU) ; -25°C to 60°C (65W CPU)
Storage temp.	-30°C ~ 85°C
Humidity	10 ~ 95% @ 40°C, non-condensing
Anti-Vibration	With SSD: 5 Grms, 5 ~ 500Hz, 0.5 hr/axis With HDD: 1 Grms, 5 ~ 500Hz, 0.5 hr/axis
Certification	CE / FCC Class A

Front

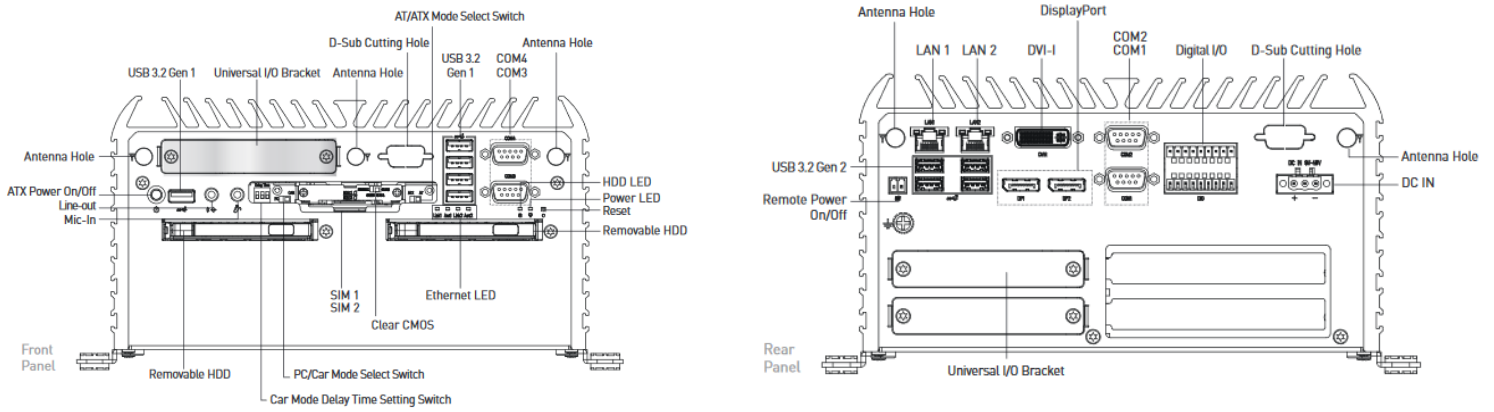


Rear



PUMA RCO-6122PE

Technical drawing (layout)



Technical drawing (dimensions)

