

Nuvo-2600 series

Fanless Box PC with Intel® Elkhart Lake Atom® CPU and flexible expansions

Features

- Intel® Elkhart Lake Atom® x6425E quad-core 2.0GHz/3.0GHz 12W CPU
- 4x Gigabit PoE+ ports via RJ-45 connector with screw-lock
- 1x isolated RS-485 port and 1x RS-422/485 or 3x 3-wire RS-232 ports
- 2x full-size mini-PCIe sockets and 1x M.2 3042/3052 B key
- 1x front-accessible 2.5" SATA SSD tray (up to 15mm height) and 1x M.2 2280 SATA
- 1x patented Cassette for single-slot PCIe card (**Nuvo-2600E**), or 1x 2500 watt-second SuperCAP UPS (**Nuvo-2600J**)

| System | |
|--|--|
| CPU | Intel® Elkhart Lake Atom® x6425E quad-core 2.0GHz/3.0GHz 12W processor |
| Graphics | Integrated Intel® UHD Graphics |
| RAM | Up to 32GB DDR4-3200 SDRAM by one SODIMM socket |
| Panel I/O | |
| USB | 1x USB 3.2 Gen1 (5 Gbps) ports with screw-lock 2x USB 2.0 port with screw-lock |
| Ethernet | 4x Gigabit Ethernet ports via RJ-45 connectors by Intel® I210 with screw-lock |
| PoE Capability | In compliant with IEEE 802.3at PoE+ PSE, maximum 25.5W output on single PoE+ port. Compatible with 802.3at (PoE+) and 802.3af (PoE) PD |
| Serial Ports | 1x isolated RS-485 port with 15 kV ESD protection (COM1) 3x 3-wire RS-232 ports (COM2/3/4) or 1x RS-422/485 (COM2) |
| Video | VGA and DVI dual display outputs via one DVH connector |
| Isolated DIO | 4-CH isolated DI and 4-CH isolated DO |
| Audio | 1x 3.5 mm jack for mic-in and speaker-out |
| Ground Terminal | 1x M4 ground terminal for chassis ESD shielding |
| Internal I/O | |
| PCIe | 1x PCIe x4 slot @ 2-lane PCIe 3.0 signal in Cassette module (Nuvo-2600E only) |
| Mini PCI Express | 1x full-size mini PCI Express socket with PCIe & USB 2.0 signal 1x full-size mini PCI Express socket with USB 2.0 signal |
| M.2 B Key | 1x M.2 3042/3052 B key (USB 3.1 + USB 2.0) for 4G/ 5G module with dual internal micro SIM sockets |
| Storage | |
| M.2 SATA | 1x M.2 2280 M key (SATA interface only) socket for SATA SSD installation |
| SATA HDD | 1x front-accessible HDD tray for 2.5" HDD/ SSD installation (up to 15mm height) |
| Mechanical | |
| DC Input | 1x 3-pin pluggable terminal block for 8V to 35V DC input with built-in ignition power control (IGN/GND/V+) |
| Remote Control & LED Output | 1x 3-pin pluggable terminal block for remote control and PWR LED output |
| Mounting | Wall-mount bracket (optional) |
| Dimensions | 205 mm (W) x 154.7 mm (D) x 85.6 mm (H) |
| Weight | 2.3 kg (Nuvo-2600E) // 2.5 kg (Nuvo-2600J) |

Front



Rear



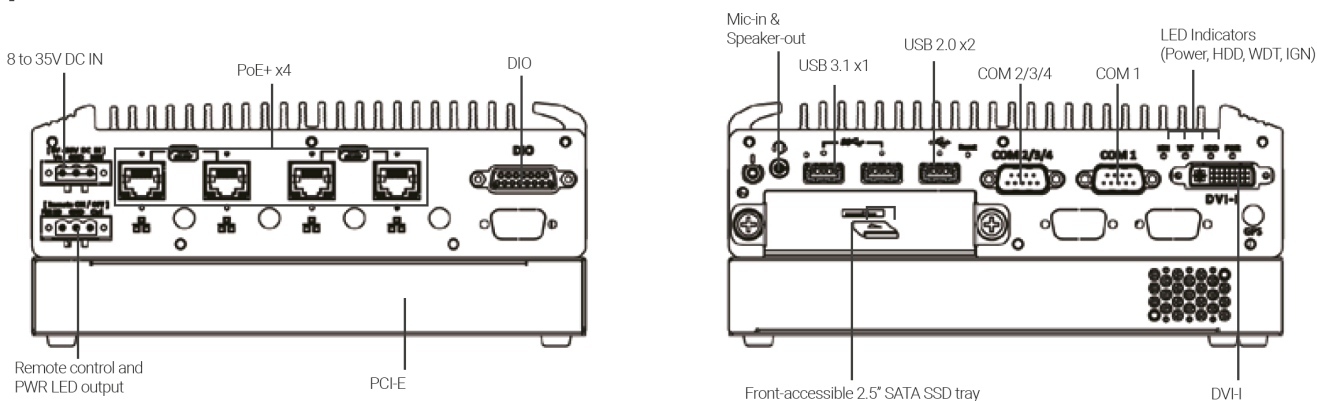
Nuvo-2600 series

Environmental

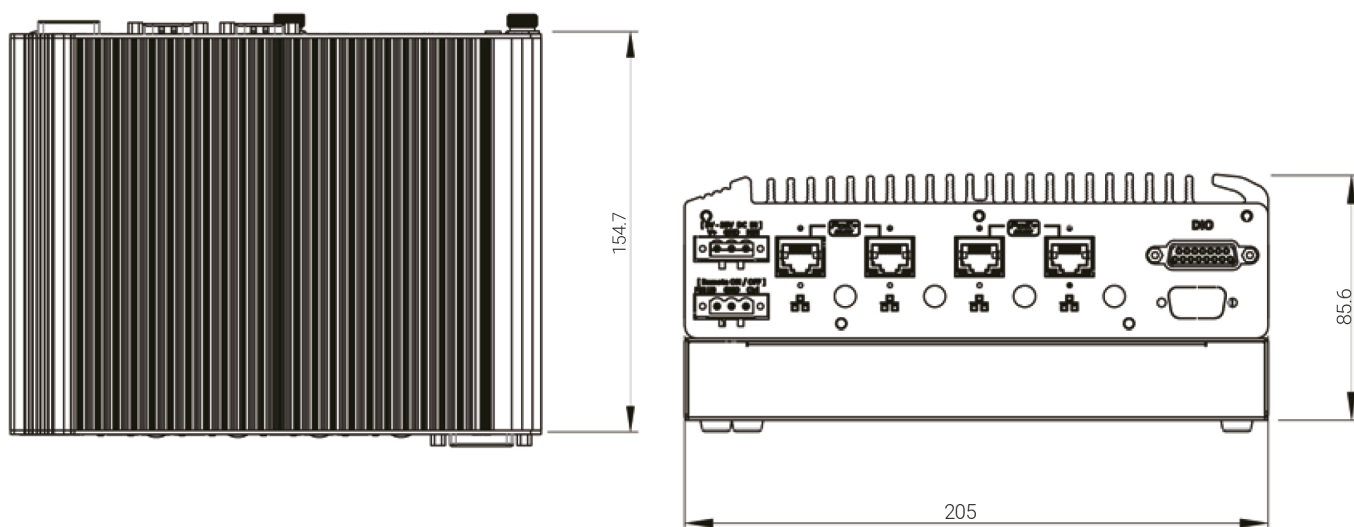
| | |
|------------------------------|--|
| Operating Temperature | -25°C to 70°C* |
| Storage Temperature | -40°C ~ 85°C |
| Humidity | 10%~90%, non-condensing |
| Vibration | Operating, MIL-STD-810G, Method 514.7, Category 4 |
| Shock | Operating, MIL-STD-810G, Method 516.7, Procedure I |
| Certification | CE/FCC Class A, according to EN 55032 & EN 55035 |

* For sub-zero operating temperature, a wide temperature HDD drive or Solid State Disk (SSD) is required.

Appearance



Dimensions (mm)



Nuvo-2600 series

Ordering Information

| | |
|-----------------------|--|
| Nuvo-2600E | Intel® Elkhart Lake Atom® x6425E fanless box PC with 4x GbE+, 7/15mm 2.5" HDD and PCIe expansion Cassette |
| Nuvo-2600E-PoE | Intel® Elkhart Lake Atom® x6425E fanless box PC with 4x PoE+ GbE, 7/15mm 2.5" HDD and PCIe expansion Cassette |
| Nuvo-2600J | Intel® Elkhart Lake Atom® x6425E fanless box PC with 4x GbE, 7/15mm 2.5" HDD and SuperCAP UPS |
| Nuvo-2600J-PoE | Intel® Elkhart Lake Atom® x6425E fanless box PC with 4x PoE+ GbE+, 7/15mm 2.5" HDD and PCIe expansion Cassette |

Optional Accessories

| | |
|-------------------------------|--|
| PA-160W-OW | 160W AC-DC power adapter 20V/8A; 18AWG/120cm; cord end terminals for terminal block, operating temperature: -25 to 70°C |
| PA-120W-OW | 120W AC/DC power adapter 20V/6A; 18AWG/120cm; cord end terminals for terminal block, operating temperature: -25 to 70°C. |
| Wmkit-Nuvo-2600 | Wall mounting kit for Nuvo-2600 and Nuvo-2610VTC series, including wall mount brackets and screws |
| AccsyBx-FAN-Nuvo-2600E | Wall mounting kit for NRU-50 series, including wall mounting brackets and screws |