

BOXER-6642-CML

Fanless Embedded Box-PC with 10th Generation Intel® processors

Features

- Extreme computing power & visualization capability
- Intel® Core™ 10th Gen. i9 / i7 / i5 / i3 or Celeron® CPU
- 2x DDR4 slots, up to 64GB
- Supports High Speed NVMe storage (M.2 2280)
- 2x Gigabit Ethernet LAN, 4x RS-232/422/485
- Wide range power input: 10 ~ 35V DC

System

CPU	Intel® Core™ i9-10900TE Intel® Core™ i7-10700TE Intel® Core™ i5-10500TE Intel® Core™ i3-10100TE Intel® Celeron® G5900TE
------------	---

Chipset	Intel® Q470E
----------------	--------------

RAM	2x DDR4 slots, up to 64GB
------------	---------------------------

Storage Capacity	1x 2.5" SATA HDD/SSD bay 1x M.2 2280 slot (PCIe x4)
-------------------------	--

Ethernet	1x Intel® i211-AT, 1x i219-LM
-----------------	-------------------------------

Operating System	Windows® 10 IoT Enterprise 64-bit Linux Ubuntu 20.04.2
-------------------------	---

Indicators	1x Power button with LED
-------------------	--------------------------

I/O

USB	4x USB 3.2 Gen 2 2x USB 2.0
------------	--------------------------------

Ethernet	2x RJ-45 for GbE LAN
-----------------	----------------------

Serial Ports	4x DB-9 for RS-232/422/485
---------------------	----------------------------

Video	1x HDMI 1.4
--------------	-------------

Audio	1x Line-out
--------------	-------------

Expansion Slots	1x M.2 2230 E key 1x M.2 2280 M key 1x Full-Size Mini Card (mSATA/PCIe switch by BIOS, default PCIe) 1x SIM
------------------------	---

Other	1x DB15 for 8-channel DIO 1x 3-pin DC power input (10 ~ 35V)
--------------	---

Mechanical

Power Requirement	10 ~ 35VDC with 3-pin terminal block
--------------------------	--------------------------------------

Mounting	Wallmount
-----------------	-----------

Dimensions	292.4 x 152 x 53.5 mm
-------------------	-----------------------

Weight	2.8kg (net weight), 3.8kg (gross weight)
---------------	--

Environmental

Operating Temp.	32°F ~ 113°F (0°C ~ 45°C) (35W CPU), according to IEC68-2-14 with 0.5 m/s airflow
------------------------	--

Storage Temp.	-40°F ~ 176°F (-40°C ~ 80°C)
----------------------	------------------------------

Humidity	5 ~ 95% @ 40°C, non-condensing
-----------------	--------------------------------

Anti-Vibration	2 Grms/ 5 ~ 500Hz/ operation (with SSD)
-----------------------	---

Anti-Shock	50G peak acceleration (11msec) (with SSD)
-------------------	---

Certification	CE / FCC Class A
----------------------	------------------

Front

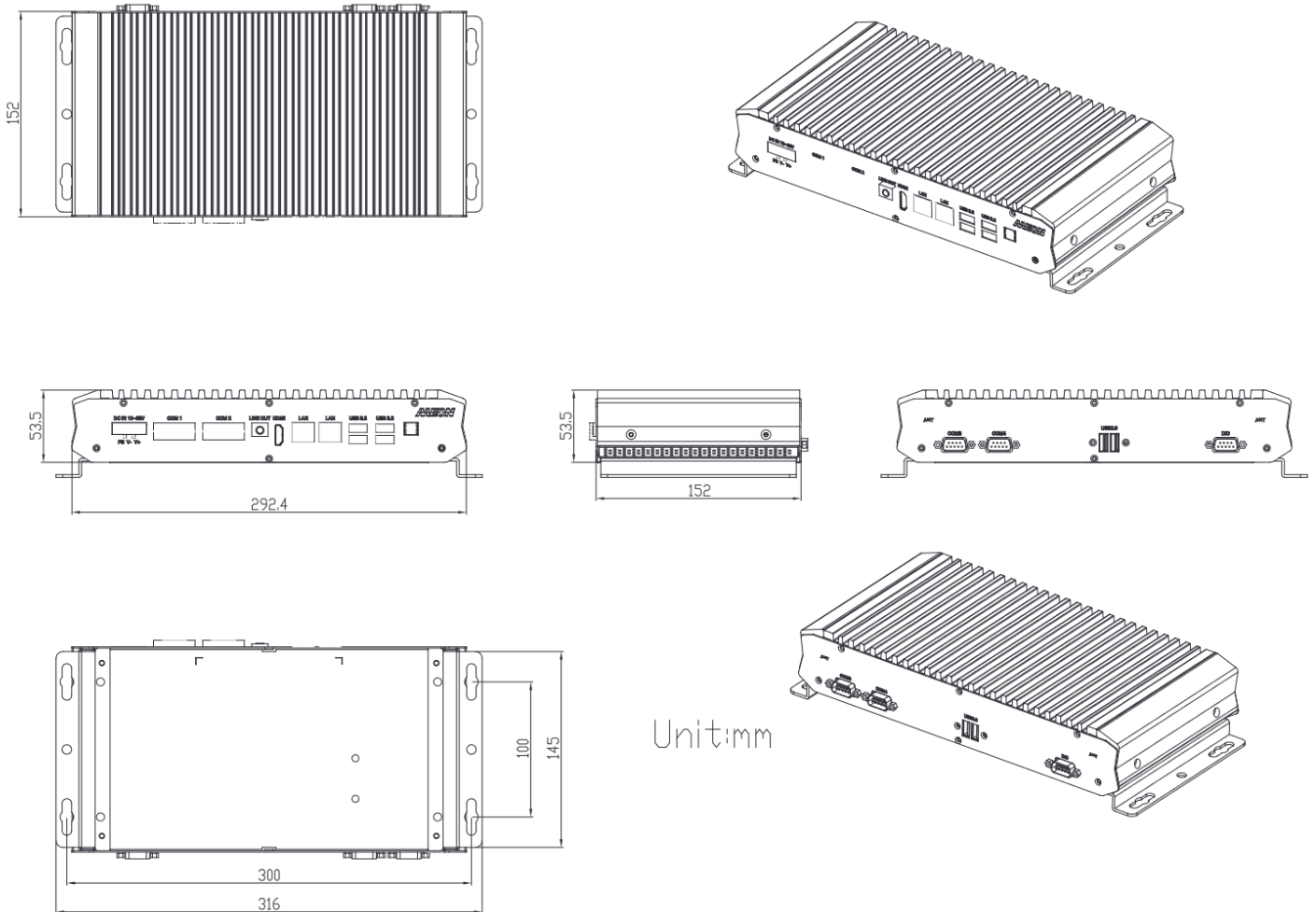


Rear



BOXER-6642-CML

Dimensions (mm)



Ordering information

Models	LAN	PCH	USB 3.2	USB 2.0	COM	Storage	Display	Expansion	Mounting	Power	Operating
BOXER-6642-CML-A1-1010	2	Q470E	4	2	4	1x M.2 2280 M key 1x 2.5" HDD/SSD bay	1x HDMI	1x M.2 2230 E key 1x Full-Size mini card	Wallmount	10~35V	0°C~45°C with 0.5m/s airflow