

ASUS IoT EBS-S100

Compact and fanless embedded computer with Intel® Atom® or Intel® N-series processor for AIoT applications

Features

- Intel® Atom® and Intel® N-series CPU
- DDR5 4800 MHz SODIMM, up to 16GB
- Enhanced connectivity options (LTE/Wi-Fi5/Wi-Fi6/BT)
- 2x GbE, 6x USB and 6x COM ports
- Operating temperature: 0 ° ~ 40 °C



ASUS IoT EBS-S300W – Powerful and fanless embedded PC for AIoT applications

The ASUS IoT EBS-S100 is an embedded computer powered by the Intel Atom® x7000E series and Intel® Processor N series. It features a fanless thermal solution for efficient cooling and offers rich I/O interfaces and multiple connectivity options ideal for AIoT applications. With up to 6x COM ports, 6x USB ports and support for dual display configuration via HDMI/DP interfaces, the EBS-S100 provides versatile connectivity.

Versatile and adaptable for various applications

To ensure optimal performance and adaptability in different environments, the ASUS IoT EBS-S100 is equipped with a wide range of power supply inputs (9-36V DC) and versatile I/O interfaces. These features enhance its capabilities and make it ideal for efficient solutions at the edge of a diverse range of vertical applications. The ASUS IoT EBS-S100 is ideal for use in smart retail environments, industrial automation, AGV (Automated Guided Vehicles), AMR (Autonomous Mobile Robots), IoT gaming and various AIoT applications.

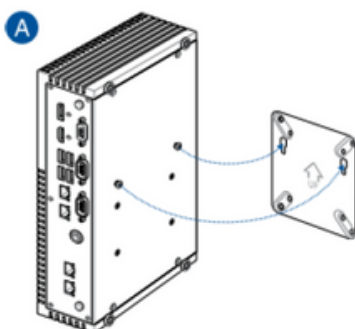
Front I/O



Rear I/O

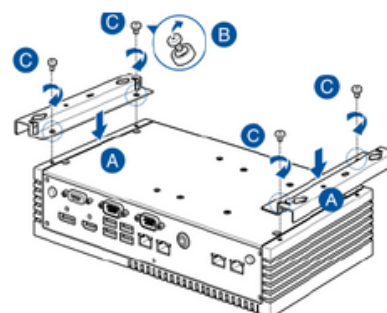


VESA mount



VESA Mount Kit
(Optional)

Wallmount



ASUS IoT EBS-S100

Compact and fanless embedded computer with Intel® Atom® or Intel® N-series processor for AIoT applications

Specifications	ASUS IoT EBS-S100
SYSTEM	
CPU	Supporting Intel® Atom® and Intel® N-series CPUs – Intel® Processor N97 – Intel® Processor N200 – Intel® Core™ i3-N305 – Intel® Atom® x7425E
RAM	Up to 16 GB DDR5 4800 MHz (one SODIMM slot)
TPM	Supports PTT TPM v2.0 powered by Nuvoton NCPT 750 (optional)
Watchdog	Yes
Storage	1x SATA Gen 3.2 supports 2.5" SSD
Expansion	1x Full Length Mini PCIe slot with integrated nano SIM socket (supports CANbus module, LTE) 1x M.2 2230 E Key (USB 2.0/CNVi mode/ PCIe) supports TPU/Wi-Fi/BT module 1x M.2 2242/2280 M Key (SATA) supports M.2 SSD up to 512GB 1x Nano SIM slot (integrated)
Operating System	Windows 10 IoT Enterprise Ubuntu core
INTERFACE	
Ethernet	2x Gigabit Ethernet port by Intel® I210-AT 1GbE
USB	4x USB 3.2 Gen 2 with type A connector 2x USB 2.0 with type A connector
COM	2x COM: RS-232/ 422/ 485 ports 4x COM: RS-232 ports COM5/COM6: Supports CANbus COM3: Supports GPIO
Video	1x HDMI 2.0 port, supports a resolution of up to 4K x 2K @ 60Hz 1x DisplayPort 1.2 port, supports a resolution of up to 4,096 x 2,304 @ 60Hz
Audio	1x Mic-in, jack socket 1x Line-out, jack socket/headphone output
ENVIRONMENTAL	
Power Supply	DC input: 9 to 36V DC
Operating Temperature	0° ~ 40°C
Humidity	10 ~ 95% , non-condensing
Dimensions	186 (W) x 135 (D) x 62 (H) mm
Weight	1.85 kg
Mounting	Wall-mount VESA (optional)
Certifications	CE (ITE), FCC, VCCI, BSMI, RCM, CB, UL, CE LVD, CCC, BSMI, GA (RoHS)