

WM BOX PC ATOM

Full IP65 BOX PC, ATOMD2550 1.86 GHz

**FEATURES**

- Intel® Atom Dual-Core D2550 1.86GHz
- Intel® NM10 Express Chipset
- Aluminum Profile with Fin
- Ultra compact size with Fanless Design
- Support mSATA SSD and micro SD card
- One mini-PCIe socket expansion
- 9~36V DC with isolation

System

Processor	Intel® ATOM Dual-Core D2550 1.86GHz
BIOS	AMI 16Mbit Flash
System Chipset	Intel® NM10 Express Chipset
System Memory	1x SO-DIMM DDR3 800/1066, max. 4GB
Ethernet Controller	Dual Broadcom BCM57780 Ethernet
Expansion slot	1x Mini PCIe slot (for 3G or WiFi module)
Watchdog timer	256 Levels

I/O Connectors

Front Side I/O:	1x Power Button 1x USB2.0 TypeA-Female 1x micro SD card socket 1x SIM card socket 1x 8 Channels GPIO (Optional) 1x Line-in / Line-out (Optional)
------------------------	---

Rear Side I/O:	1x Power Input (9~36V DC) 2x USB 2.0 1x RS232 2x LAN 1x DVI or HDMI, either one 1x RS232 (Optional)
-----------------------	--

Power Supply

Power Input	9~36V DC with isolation
--------------------	-------------------------

Wir bieten Ihnen auch die passenden Serviceleistungen



Telefon-Support

Applikations-/
Projektberatung

Built-to-order (BTO)



Systemintegration



Installation vor Ort



Training / Webtraining



Leasing



BRESSNER Technology GmbH
Breslauer Strasse 34
D-82194 Gröbenzell/München

Tel. 08142 47284-0
Fax 08142 47284-77
verkauf@bressner.de
www.bressner.de



Telefon 08142 472840

WM BOX PC ATOM

Full IP65 BOX PC, ATOMD2550 1.86 GHz



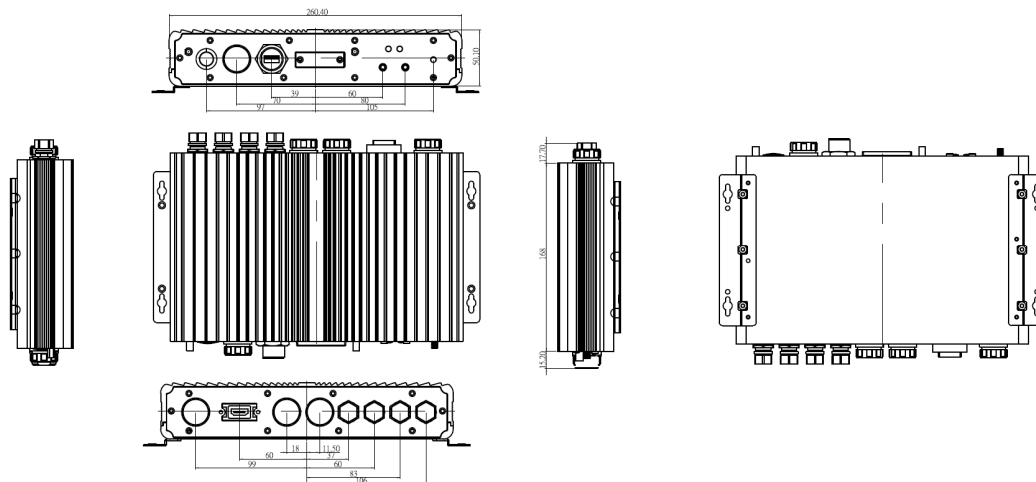
Environmental Specification

Operation Temperature	-20~60°C
Operating Humidity	5%~95% (non-condensing)
Anti-Vibration	5Hz~500Hz / 1 Grms/3 Axis
Anti Shock	15G, 11ms duration

Mechanical Specification

Construction	Aluminum housing
Mounting	Wall-mount / Desktop
Dimension (L x W x H)	260 x 168 x 50mm

Drawing



Wir bieten Ihnen auch die passenden Serviceleistungen



Telefon-Support



Applikations-/
Projektberatung



Built-to-order (BTO)



Systemintegration



Installation vor Ort



Training / Webtraining



Leasing



BRESSNER Technology GmbH
Breslauer Strasse 34
D-82194 Gröbenzell/München

Tel. 08142 47284-0
Fax 08142 47284-77
verkauf@bressner.de
www.bressner.de

